

10' - 0 x 32"

Load Tables

Section Properties

Untopped

A	=	615 in. ²
I	=	59,720 in. ⁴
Y _b	=	21.98 in.
Y _t	=	10.02 in.
Z _b	=	2717 in. ³
Z _t	=	5960 in. ³
wt	=	641 plf
		64 psf
V/S	=	1.69 in.

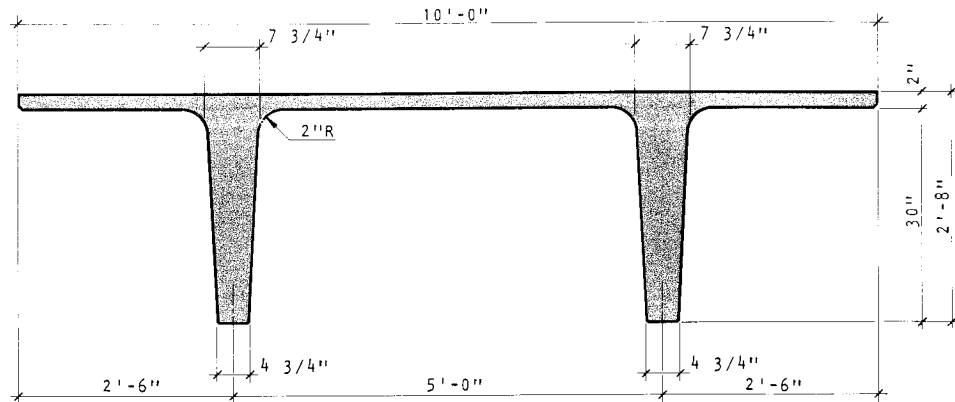


Table of safe superimposed service load (psf)

no topping

strand pattern	span ft.																						
	46	48	50	52	54	56	58	60	62	64	66	68	70	72	74	76	78	80	82	84	86	88	
12 - D	182	163	146	131	118	106	95	86	77	69	62	55	49	44	39								
14 - D		191	172	155	140	127	115	104	94	85	77	70	63	57	51	46	41						
16 - D			199	180	163	148	134	122	111	101	92	84	76	69	63	57	52	46	42				
18 - D							140	127	117	107	97	89	81	74	68	62	56	51	46				
20 - D											110	101	93	85	78	72	66	60	55	50			
22 - D																88	81	75	69	63	58	53	

Floor

Section Properties

Topped

A	=	—
I	=	77,118 in. ⁴
Y _b	=	24.54 in.
Y _t	=	9.46 in.
Z _b	=	3142 in. ³
Z _t	=	8152 in. ³
wt	=	891 plf
		89 psf
V/S	=	—

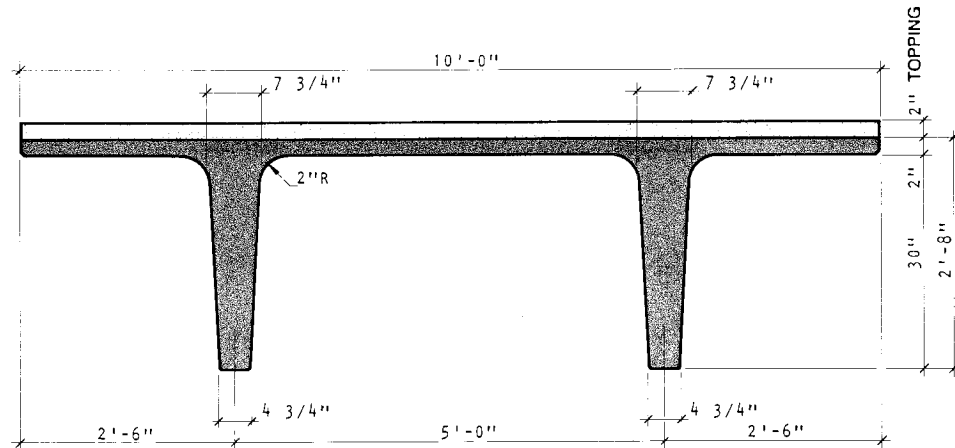


Table of safe superimposed service load (psf)

2" concrete topping

strand pattern	span ft.																					
	42	44	46	48	50	52	54	56	58	60	62	64	66	68	70	72	74	76				
10 - D	179	157	138	121	106	92	81	70	60	52												
12 - D		199	176	156	138	122	108	96	85	74	65	57										
14 - D			186	166	148	132	118	105	94	83	74	65	57									
16 - D				194	174	156	140	126	113	101	91	81	72	64								
18 - D							145	131	118	107	96	86	77	69	62							
20 - D											100	90	82	73	66							

Safe loads shown include dead load of 10 psf for untopped members and 15 psf for topped members. Remainder is live load. Long-time cambers include superimposed dead load but do not include live load.
 D - DEPRESSED STRANDS S - STRAIGHT STRANDS

Bold type — Capacity governed by stresses, others governed by flexural strength. Values below heavy line require release strengths higher than 3500 psi.



HEAD OFFICE
 P.O. Box 3187
 Station "B"
 Saint John, NB E2M 3S3
 (506) 633-8877
 Fax (506) 632-7576

NOVA SCOTIA OFFICE
 P.O. Box 44205
 Bedford, Nova Scotia
 B4A 3Z8
 (902) 835-7343
 Fax (902) 835-7343