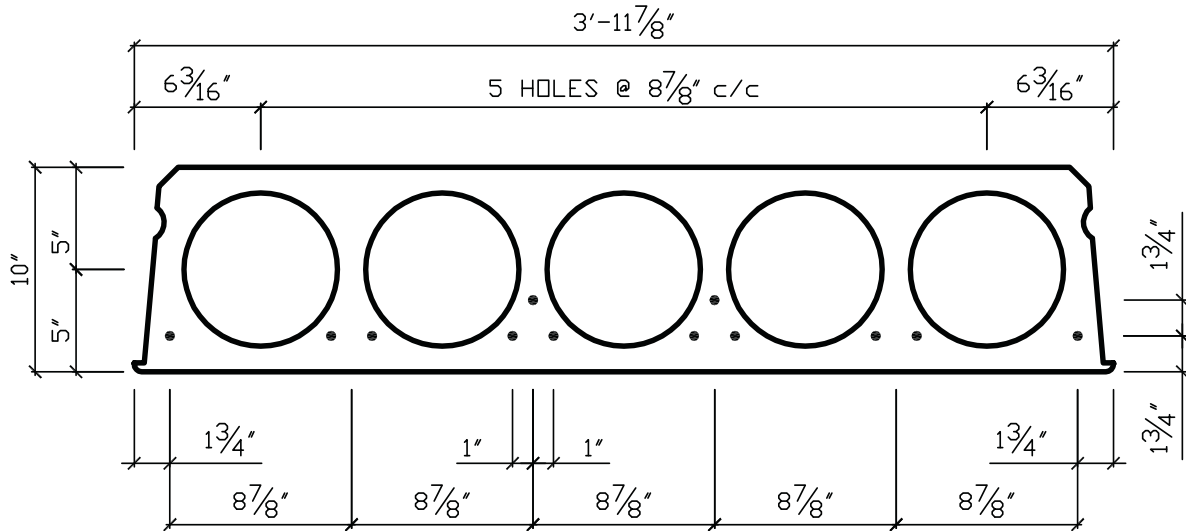


**10" UNTOPPED**



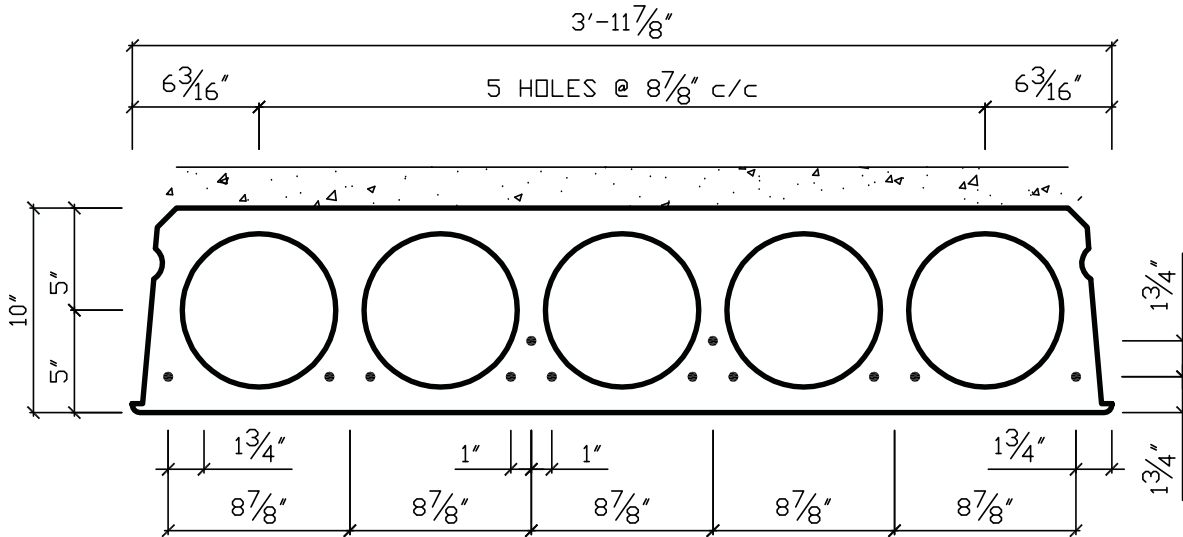
**SECTION PROPERTIES (NORMAL WEIGHT CONCRETE)**

A = 251 in.<sup>2</sup>      Wt. = 67 psf  
 I = 3155.7 in.<sup>4</sup>      f'<sub>c</sub> = 6000 psi

MAXIMUM UNIFORMLY DISTRIBUTED SUPERIMPOSED SERVICE LOAD IN PSF															
Strand Pattern	Span in Feet (center to center of bearing)														
(1/2" ø 270 ksi LL Strand)	26'	27'	28'	29'	30'	31'	32'	33'	34'	35'	36'	37'	38'	39'	40'
lbs per square foot	207	197	196	187	178	174	165	153	147	140	135	130	125	118	110



**10" TOPPED**



**SECTION PROPERTIES (NORMAL WEIGHT CONCRETE)**

$A_c = 335.6 \text{ in.}^2$        $f'_c = 6000 \text{ psi}$   
 $I_c = 5461 \text{ in.}^4$        $f'_c \text{ Topping} = 3000 \text{ psi}$

<b>MAXIMUM UNIFORMLY DISTRIBUTED SUPERIMPOSED SERVICE LOAD IN PSF</b>															
Strand Pattern	Span in Feet (center to center of bearing)														
(1/2" $\varnothing$ 270 ksi LL Strand)	26'	27'	28'	29'	30'	31'	32'	33'	34'	35'	36'	37'	38'	39'	40'
lbs per square foot	233	218	215	202	195	188	178	170	160	146	138	132	128	125	118

