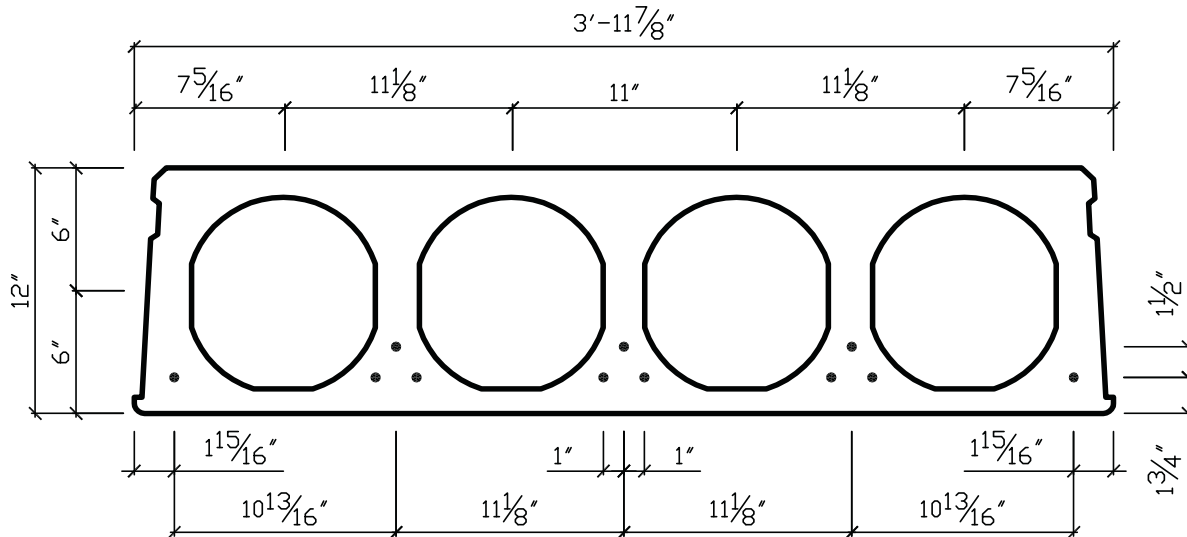


12" UNTOPPED



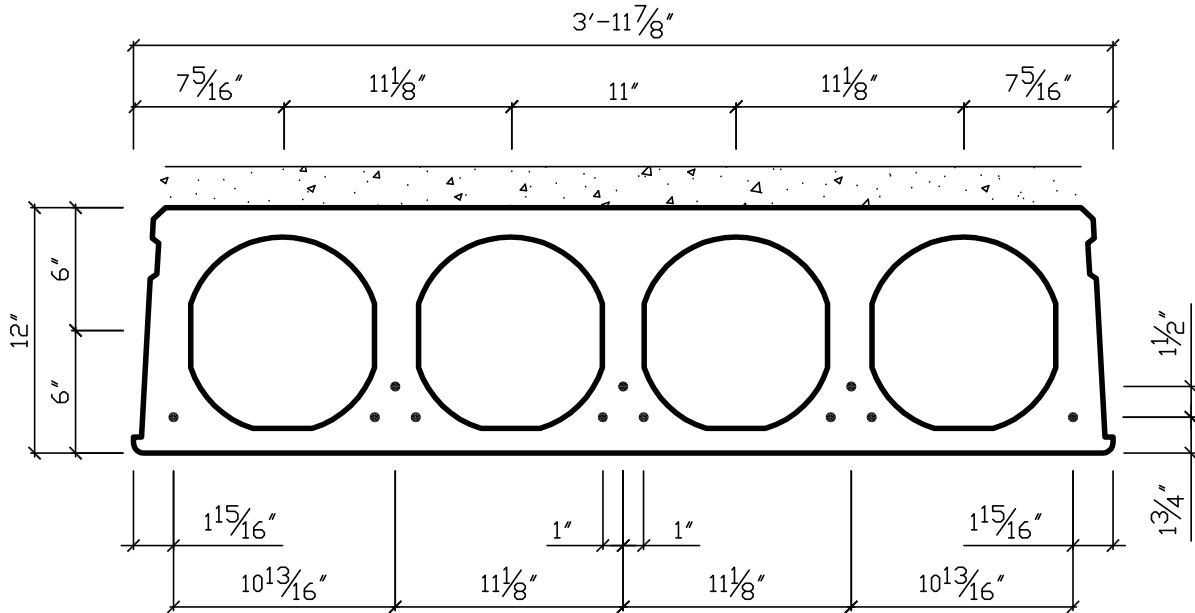
SECTION PROPERTIES (NORMAL WEIGHT CONCRETE)

A = 279 in.² Wt. = 74 psf
 I = 5104 in.⁴ f'c = 6000 psi

| MAXIMUM UNIFORMLY DISTRIBUTED SUPERIMPOSED SERVICE LOAD IN PSF | | | | | | | | | | | | | | | |
|--|--|-----|-----|-----|-----|-----|-----|-----|-----|-----|-----|-----|-----|-----|-----|
| Strand Pattern | Span in Feet (center to center of bearing) | | | | | | | | | | | | | | |
| (1/2" ø 270 ksi LL Strand) | 32' | 33' | 34' | 35' | 36' | 37' | 38' | 39' | 40' | 41' | 42' | 43' | 44' | 45' | 46' |
| lbs per square foot | 159 | 153 | 146 | 141 | 135 | 130 | 126 | 121 | 117 | 113 | 104 | 99 | 96 | 92 | 89 |



12" TOPPED



SECTION PROPERTIES (NORMAL WEIGHT CONCRETE)

$A_c = 363.6 \text{ in.}^2$ $f'_c = 6000 \text{ psi}$
 $I_c = 8133 \text{ in.}^4$ $f'_c \text{ Topping} = 3000 \text{ psi}$

| MAXIMUM UNIFORMLY DISTRIBUTED SUPERIMPOSED SERVICE LOAD IN PSF | | | | | | | | | | | | | | | |
|--|--|-----|-----|-----|-----|-----|-----|-----|-----|-----|-----|-----|-----|-----|-----|
| Strand Pattern | Span in Feet (center to center of bearing) | | | | | | | | | | | | | | |
| (1/2" \varnothing 270 ksi LL Strand) | 32' | 33' | 34' | 35' | 36' | 37' | 38' | 39' | 40' | 41' | 42' | 43' | 44' | 45' | 46' |
| lbs per square foot | 181 | 174 | 166 | 160 | 153 | 147 | 141 | 134 | 124 | 120 | 115 | 111 | 107 | 103 | 99 |

