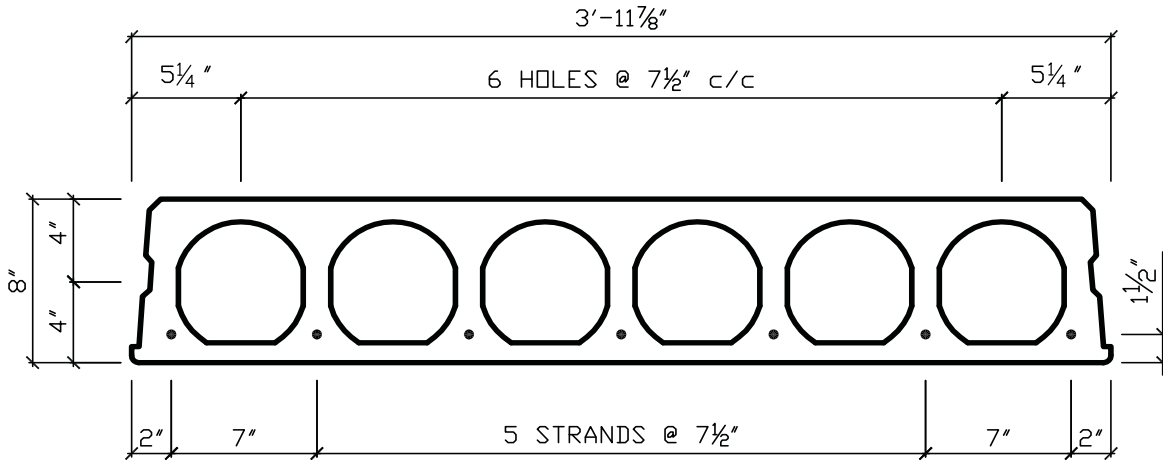


8" UNTOPPED



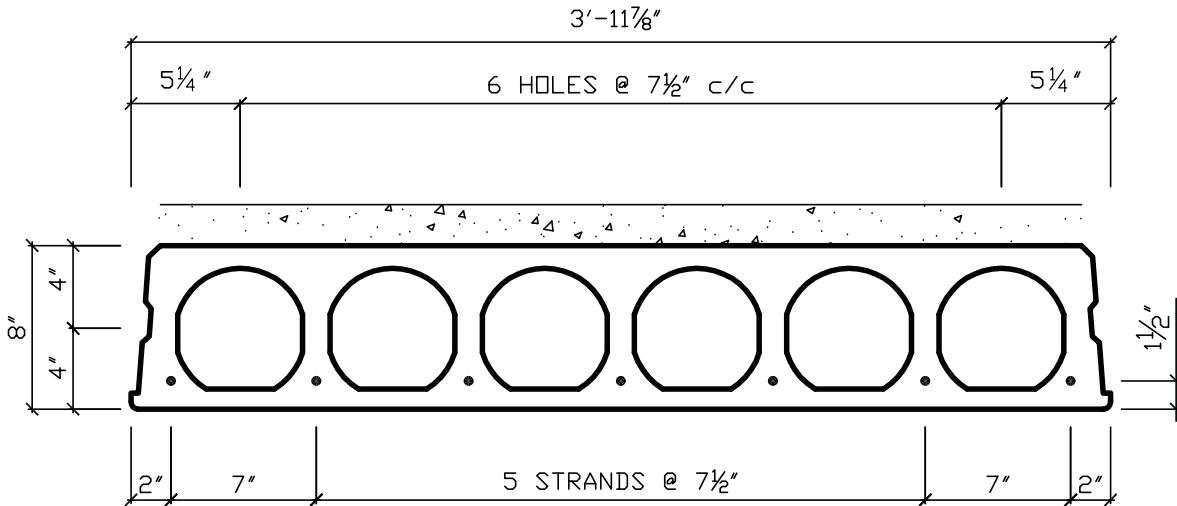
SECTION PROPERTIES (NORMAL WEIGHT CONCRETE)

A = 199.7 in.² Wt. = 52 psf
 I = 1580 in.⁴ f'_c = 6000 psi

MAXIMUM UNIFORMLY DISTRIBUTED SUPERIMPOSED SERVICE LOAD IN PSF											
Strand Pattern	Span in Feet (center to center of bearing)										
	20'	21'	22'	23'	24'	25'	26'	27'	28'	29'	30'
(1/2" ø 270 ksi LL Strand)	215	203	185	178	165	152	140	132	130	120	108
lbs per square foot											



8" TOPPED



SECTION PROPERTIES (NORMAL WEIGHT CONCRETE)

$A_c = 289.4 \text{ in.}^2$ $f'_c = 6000 \text{ psi}$
 $I_c = 3176 \text{ in.}^4$ $f'_c \text{ Topping} = 3000 \text{ psi}$

MAXIMUM UNIFORMLY DISTRIBUTED SUPERIMPOSED SERVICE LOAD IN PSF											
Strand Pattern	Span in Feet (center to center of bearing)										
	20'	21'	22'	23'	24'	25'	26'	27'	28'	29'	30'
(1/2" ø 270 ksi LL Strand)	206	242	228	218	201	186	171	155	145	133	118
lbs per square foot	256	242	228	218	201	186	171	155	145	133	118

