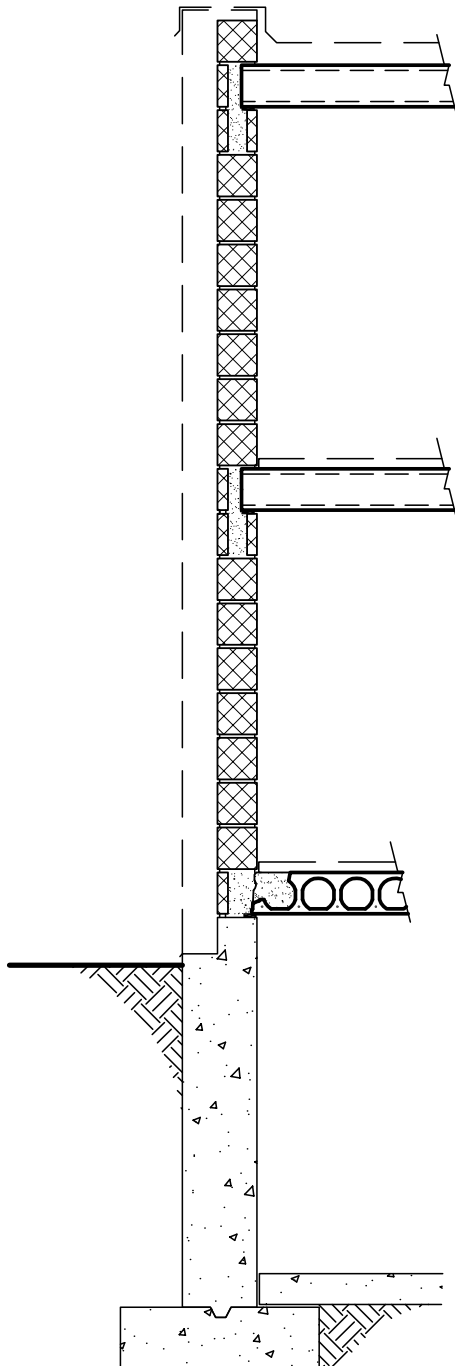


**MASONRY DETAIL INDEX**



**ROOF DETAILS** DETAIL

<b>Load Bearing</b>	Interior	-	D4
	Exterior	-	D1

<b>Non-Load Bearing</b>	Interior	-	D7
	Exterior	-	D3

**INTERMEDIATE DETAILS** DETAIL

<b>Load Bearing</b>	Interior	-	D6
	Exterior	-	D2

<b>Non-Load Bearing</b>	Interior	-	D7
	Exterior	-	D5

**BASE DETAILS** DETAIL

<b>Load Bearing</b>	Exterior	-	D31
---------------------	----------	---	-----

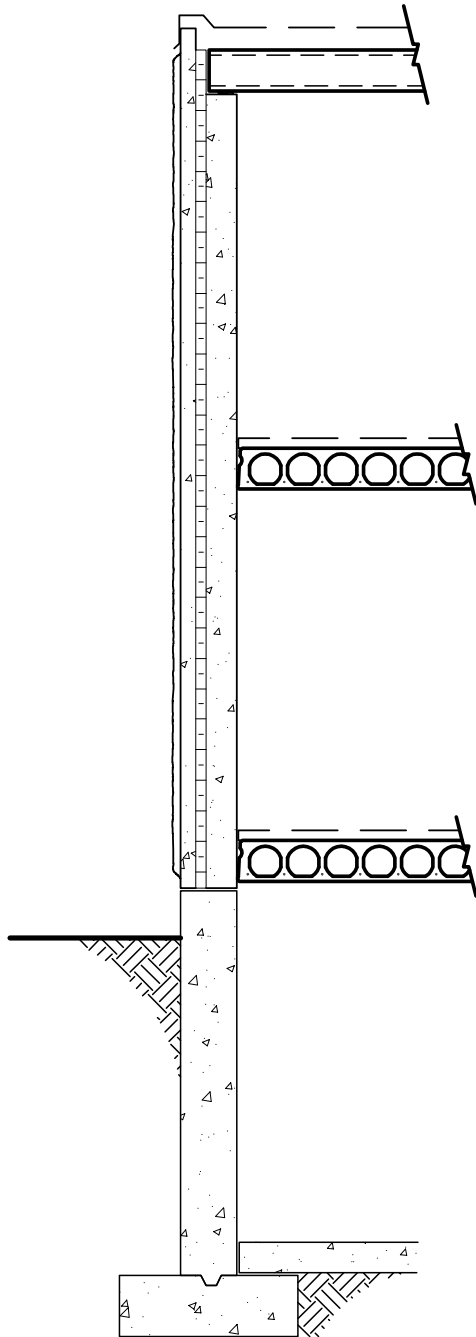
<b>Non-Load Bearing</b>	Exterior	-	D32
-------------------------	----------	---	-----

**MISCELLANEOUS DETAILS** DETAIL

D33 to D45



**PRECAST DETAIL INDEX**



**ROOF DETAILS** DETAIL

<b>Load Bearing</b>	Interior	-	D11, D12
	Exterior	-	D8, D10, D13

**INTERMEDIATE DETAILS** DETAIL

<b>Load Bearing</b>	Interior	-	D11, D12
	Exterior	-	D14

<b>Non-Load Bearing</b>	Exterior	-	D9
-------------------------	----------	---	----

**BASE DETAILS** DETAIL

<b>Load Bearing</b>	Exterior	-	D31
---------------------	----------	---	-----

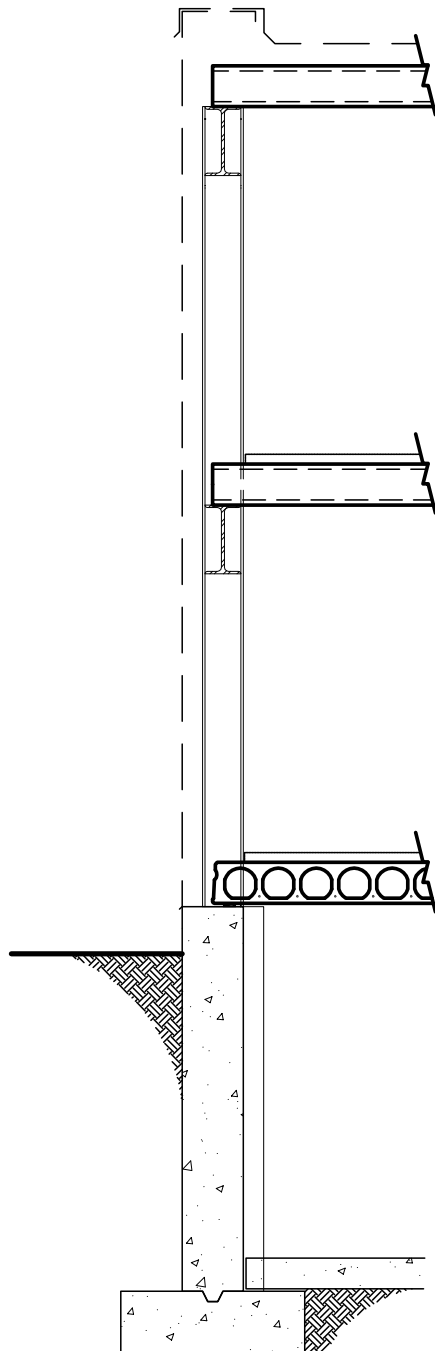
<b>Non-Load Bearing</b>	Exterior	-	D32
-------------------------	----------	---	-----

**MISCELLANEOUS DETAILS** DETAIL

D33 to D45



**STEEL DETAIL INDEX**



**ROOF DETAILS** **DETAIL**

<b>Load Bearing</b>	Interior -	D16, D17, D18
	Exterior -	D19

<b>Non-Load Bearing</b>	Interior -	D16
	Exterior -	D15

**INTERMEDIATE DETAILS** **DETAIL**

<b>Load Bearing</b>	Interior -	D16, D17, D18,
	-	D21, D22
	Exterior -	D19, D20

<b>Non-Load Bearing</b>	Interior -	D16
	Exterior -	D15

**BASE DETAILS** **DETAIL**

<b>Load Bearing</b>	Exterior -	D31
---------------------	------------	-----

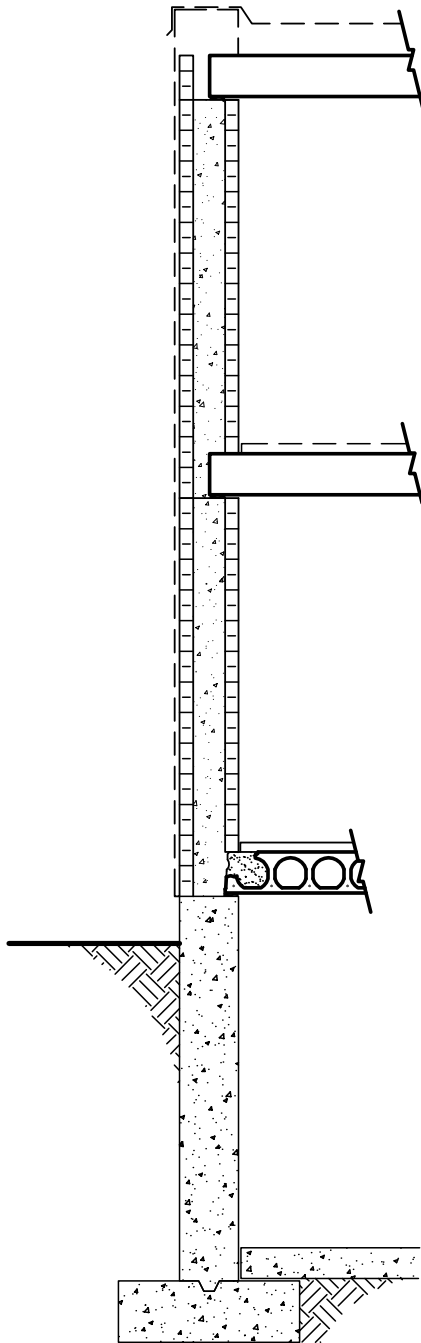
<b>Non-Load Bearing</b>	Exterior -	D32
-------------------------	------------	-----

**MISCELLANEOUS DETAILS** **DETAIL**

-	D33 to D45
<b>Pre-Engineered Column</b>	- D23, D24



**INSULATED CONCRETE FORM DETAIL INDEX**



**ROOF DETAILS** DETAIL

<b>Load Bearing</b>	Interior	-	D29
	Exterior	-	D25

<b>Non-Load Bearing</b>	Exterior	-	D27
-------------------------	----------	---	-----

**INTERMEDIATE DETAILS** DETAIL

<b>Load Bearing</b>	Interior	-	D30
	Exterior	-	D26

<b>Non-Load Bearing</b>	Interior	-	D28
	Exterior	-	D28

**BASE DETAILS** DETAIL

<b>Load Bearing</b>	Exterior	-	D31
---------------------	----------	---	-----

<b>Non-Load Bearing</b>	Exterior	-	D32
-------------------------	----------	---	-----

**MISCELLANEOUS DETAILS** DETAIL

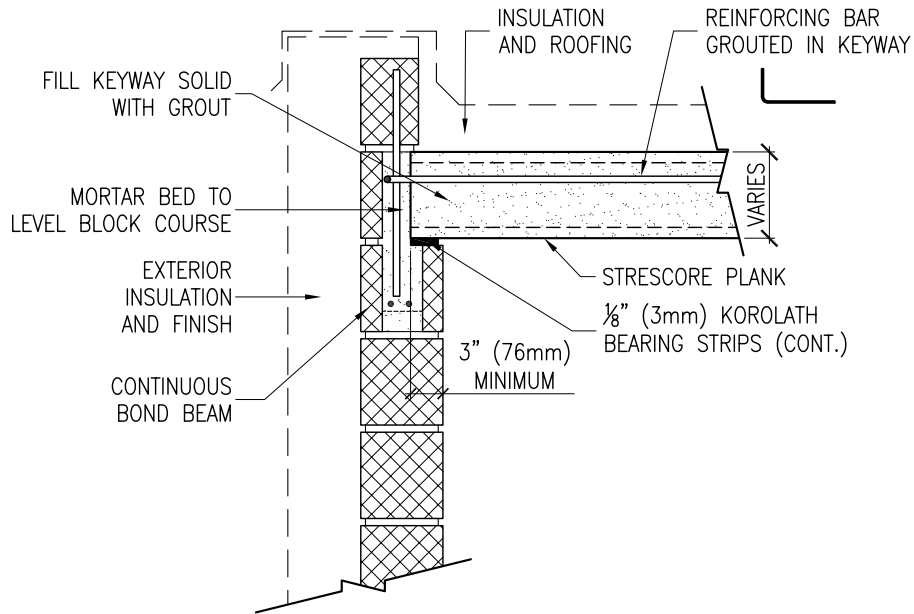
D33 to D45



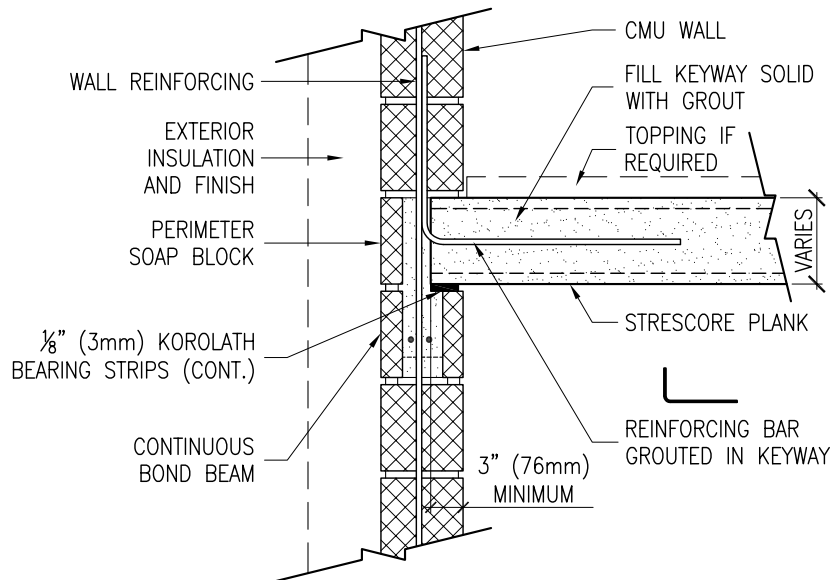
**MISCELLANEOUS DETAIL INDEX**

	DETAIL
<b>HANGER DETAILS</b>	- D33
<b>BACK TO BACK LINTEL DETAIL</b>	- D34
<b>INTERIOR NON-LOAD BEARING PARTITION WALL INTERMEDIATE FLOOR DETAIL</b>	- D35
<b>EXTERIOR NON-LOAD BEARING PARTITION WALL INTERMEDIATE FLOOR DETAIL</b>	- D36
<b>TYPICAL PLANK TO PLANK JOINT DETAILS</b>	- D37
<b>STANDARD HANGER DETAILS</b>	- D38
<b>ELONGATED NOTCH DETAIL WHEN PLANK JOINTS DO NOT ALIGN</b>	- D39
<b>GROUTING OF CORES FOR WALLS ABOVE</b>	- D40
<b>PLANK TO PLANK TIE CONNECTION</b>	- D41
<b>PREFERRED METHOD FOR BALCONY LAYOUT</b>	- D42
<b>BALCONY SLAB TO STRESCORE PLANK CONNECTION DETAIL</b>	- D43
<b>ALTERNATE METHOD FOR BALCONY LAYOUT</b>	- D44
<b>BALCONY SLAB TO STRESCORE PLANK ALTERNATE CONNECTION DETAIL</b>	- D45



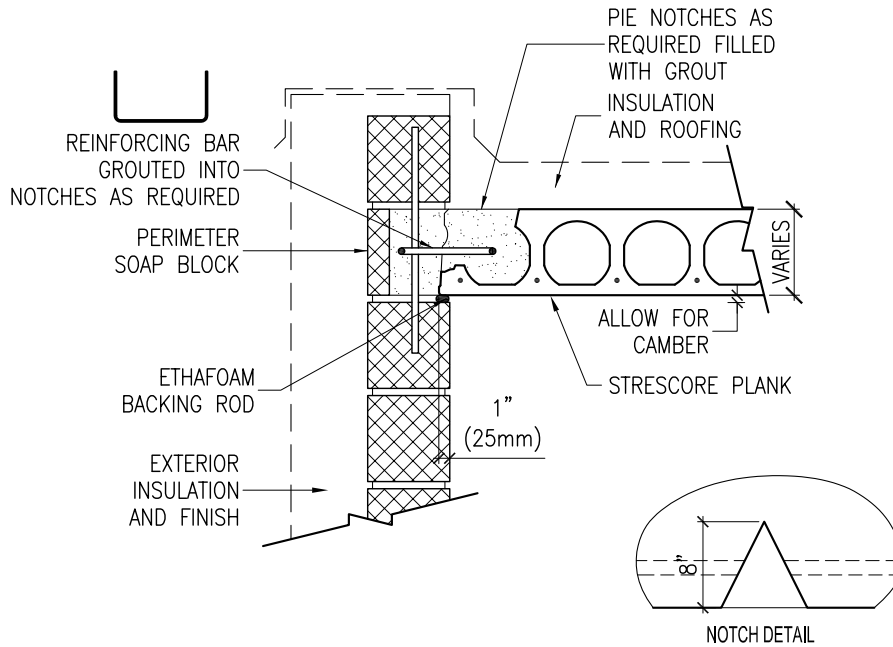


**D1 - EXTERIOR LOAD BEARING  
MASONRY WALL  
ROOF DETAIL**

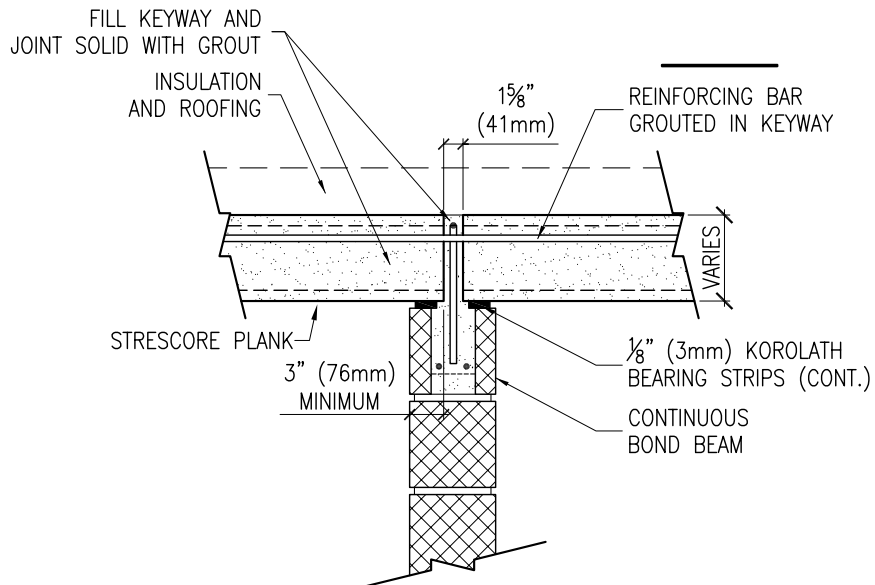


**D2 - EXTERIOR LOAD BEARING  
MASONRY WALL  
INTERMEDIATE FLOOR DETAIL**



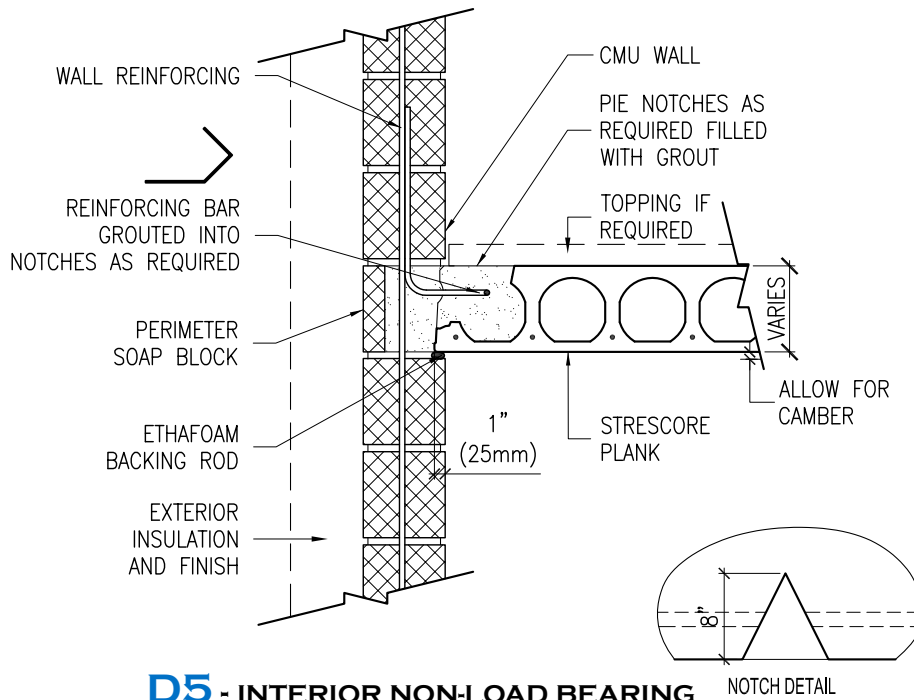


**D3 - EXTERIOR NON-LOAD BEARING MASONRY WALL ROOF DETAIL**

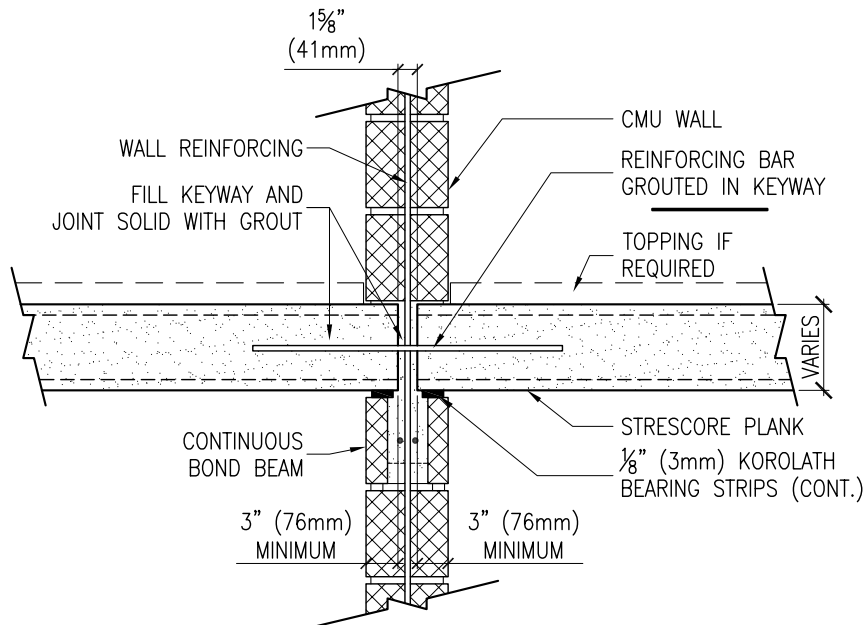


**D4 - EXTERIOR NON-LOAD BEARING MASONRY WALL INTERMEDIATE FLOOR DETAIL**



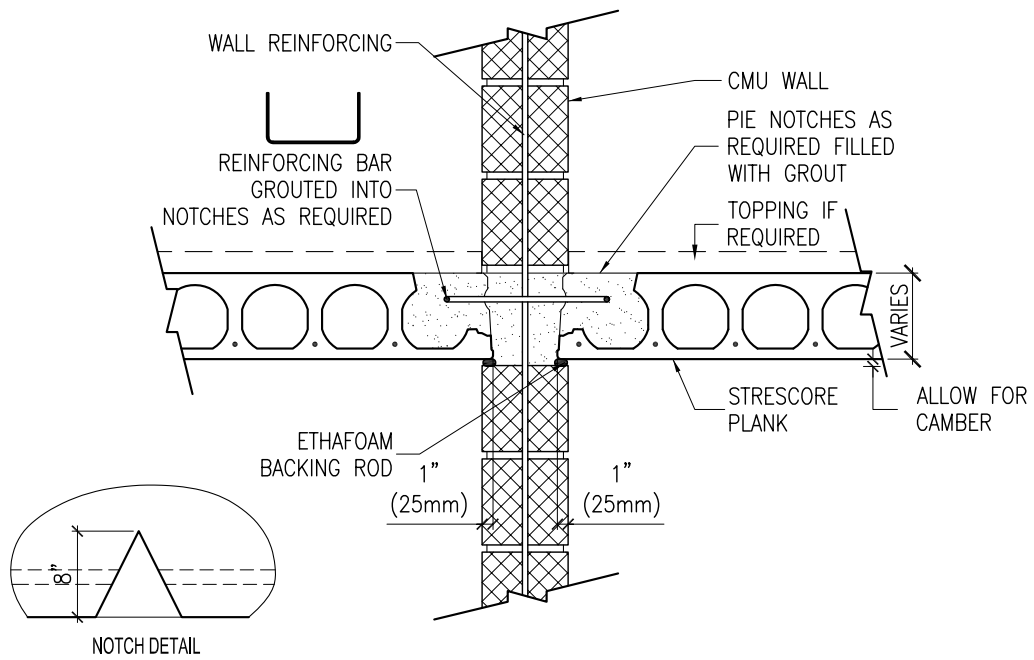


**D5 - INTERIOR NON-LOAD BEARING MASONRY WALL ROOF DETAIL**



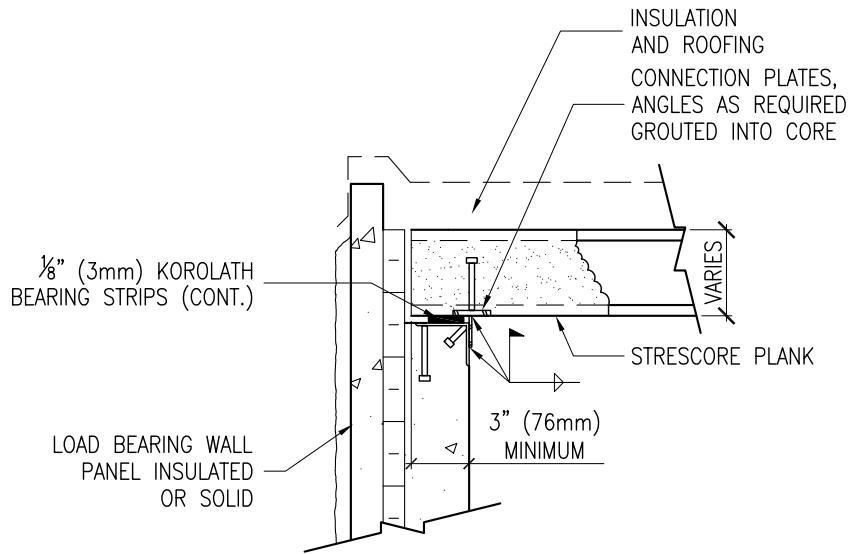
**D6 - INTERIOR LOAD BEARING MASONRY WALL INTERMEDIATE FLOOR DETAIL**



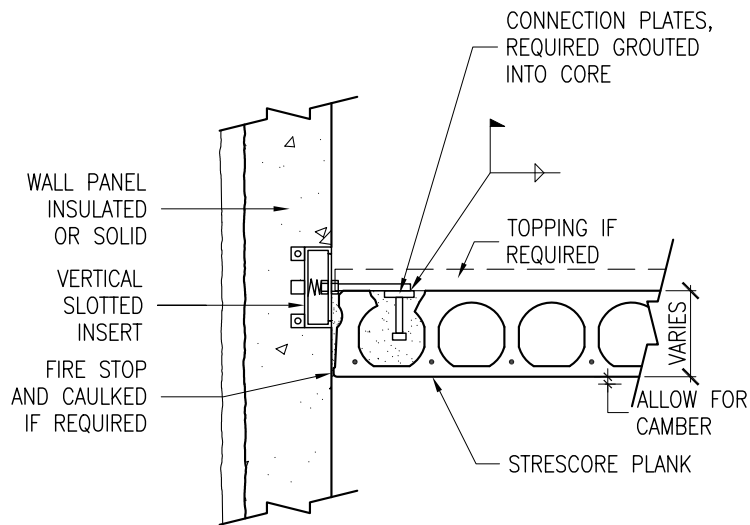


**D7** - INTERIOR NON-LOAD BEARING  
MASONRY WALL  
INTERMEDIATE FLOOR DETAIL



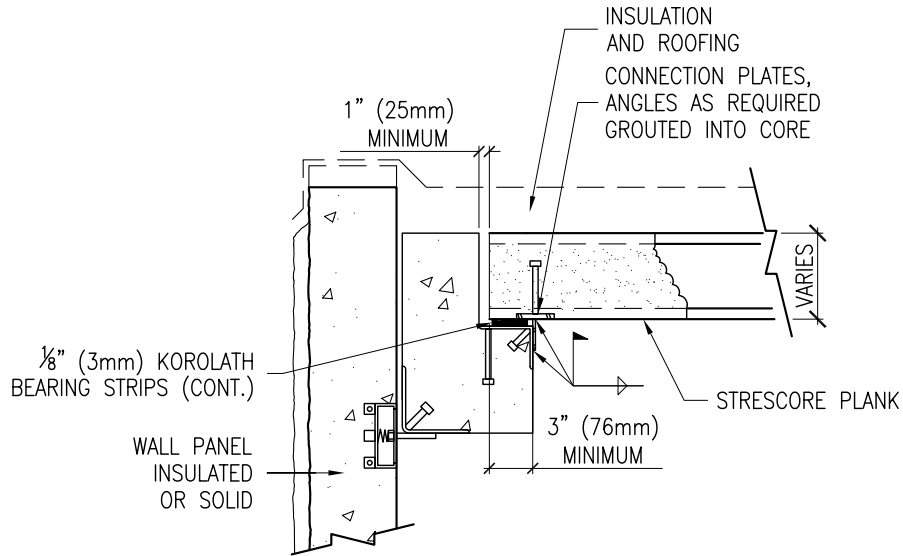


**D8 - EXTERIOR LOAD BEARING PRECAST WALL ROOF DETAIL**

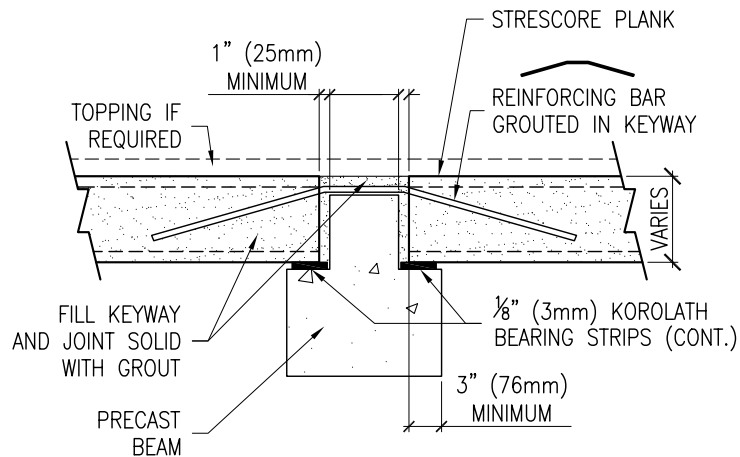


**D9 - EXTERIOR NON-LOAD BEARING PRECAST WALL INTERMEDIATE FLOOR DETAIL**



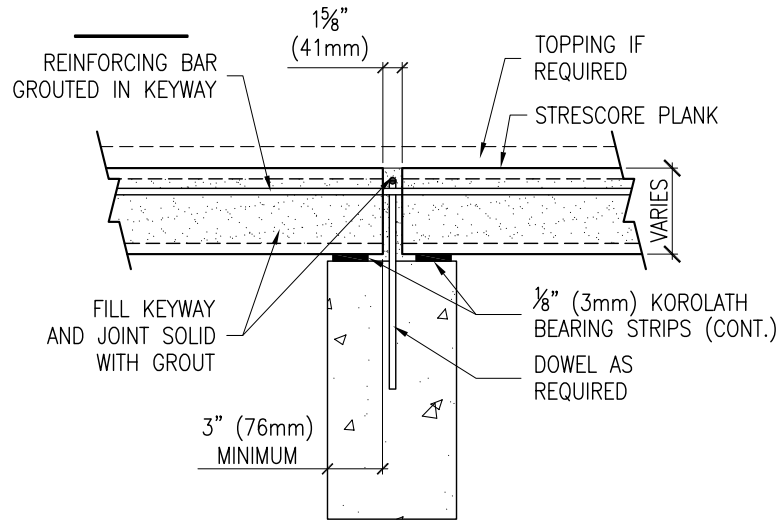


**D10 - EXTERIOR LOAD BEARING  
STRUCTURAL PRECAST FRAME  
ROOF DETAIL**

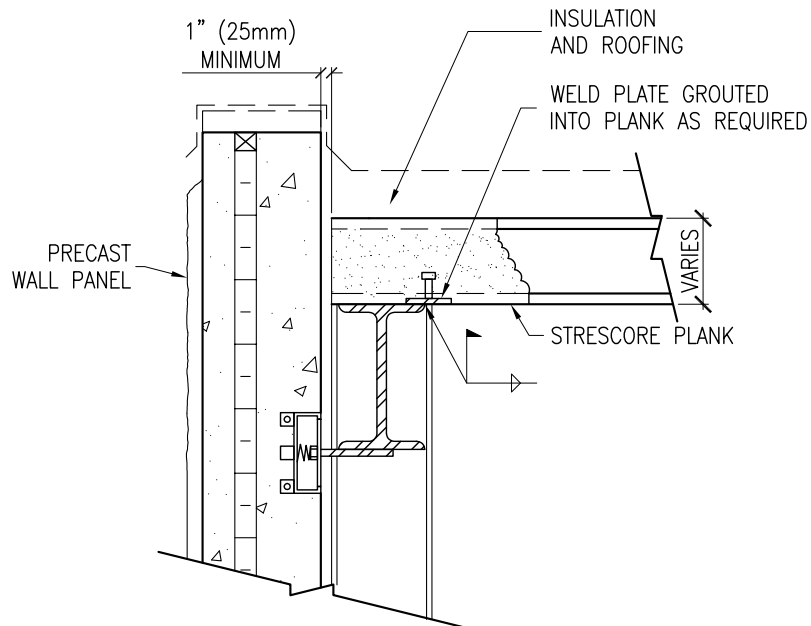


**D11 - INTERIOR  
STRUCTURAL PRECAST FRAME  
INTERMEDIATE FLOOR DETAIL**



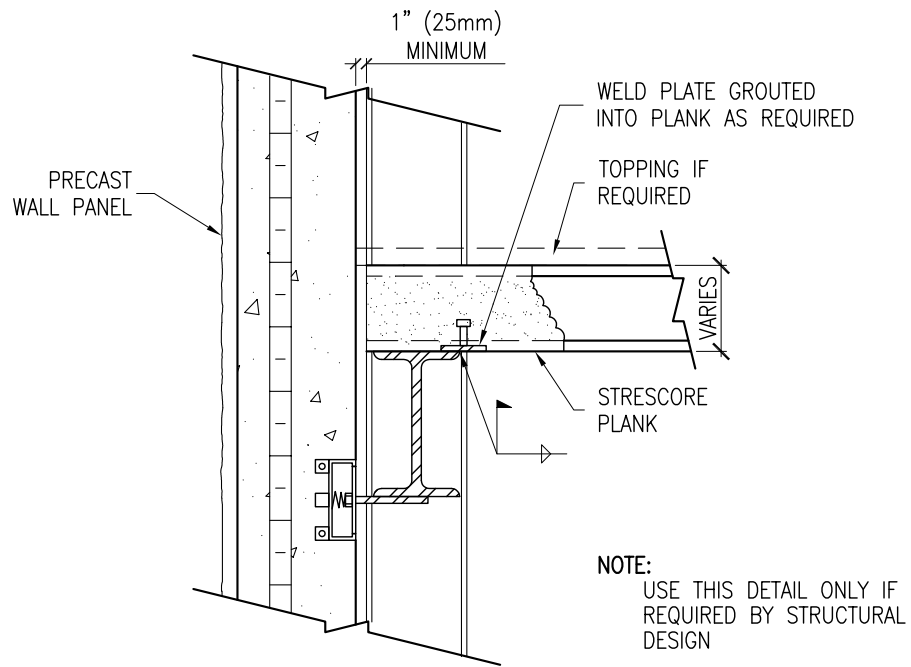


**D12 - INTERIOR  
STRUCTURAL PRECAST FRAME  
INTERMEDIATE FLOOR DETAIL**



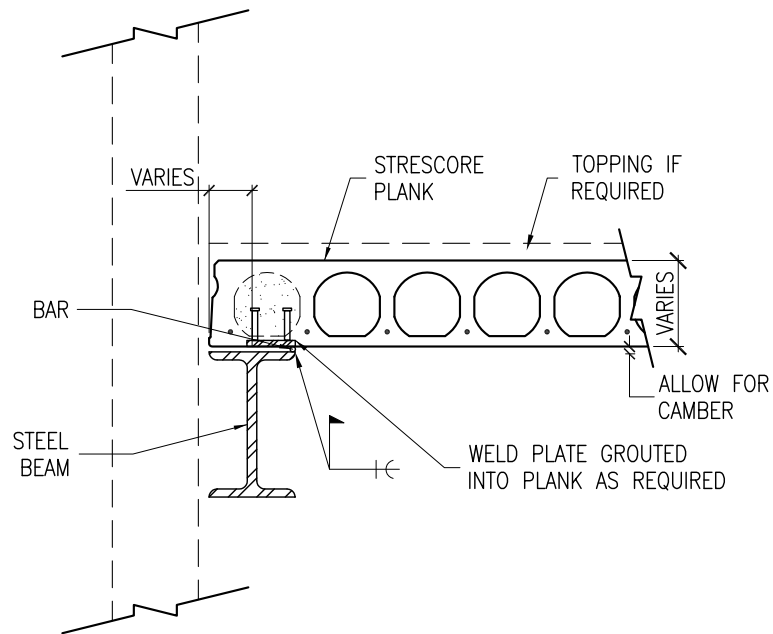
**D13 - EXTERIOR  
STRUCTURAL STEEL FRAME  
ROOF DETAIL**



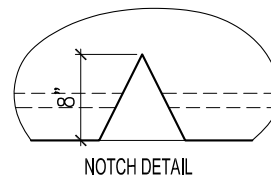
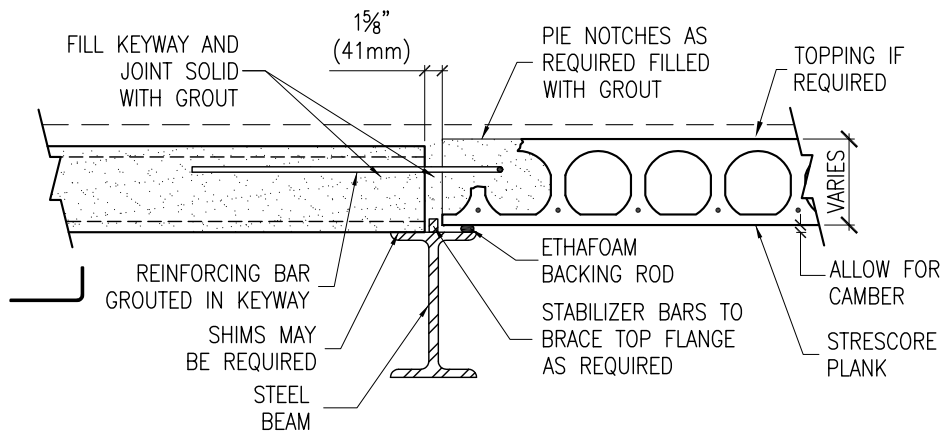


**D14 - EXTERIOR  
STRUCTURAL STEEL FRAME  
INTERMEDIATE FLOOR DETAIL**



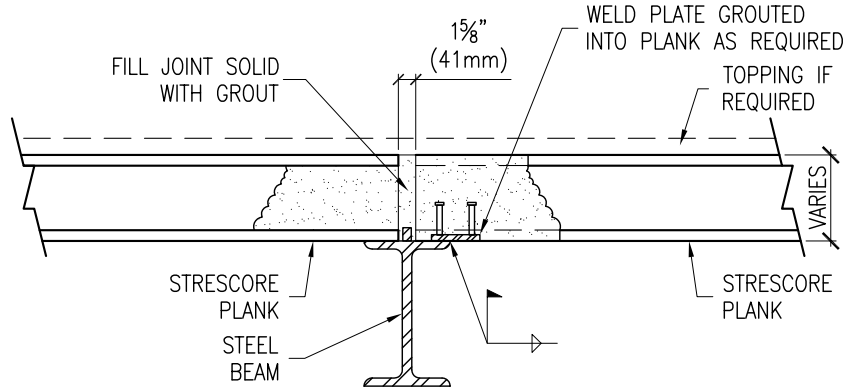


**D15 - STRUCTURAL STEEL FRAME  
PARALLEL TO PLANK SPAN**

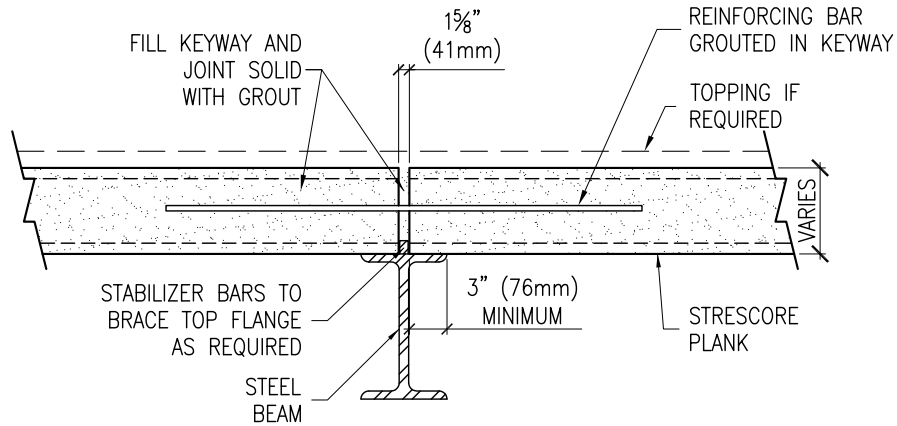


**D16 - INTERIOR  
STRUCTURAL STEEL FRAME  
PARALLEL TO PLANK SPAN**



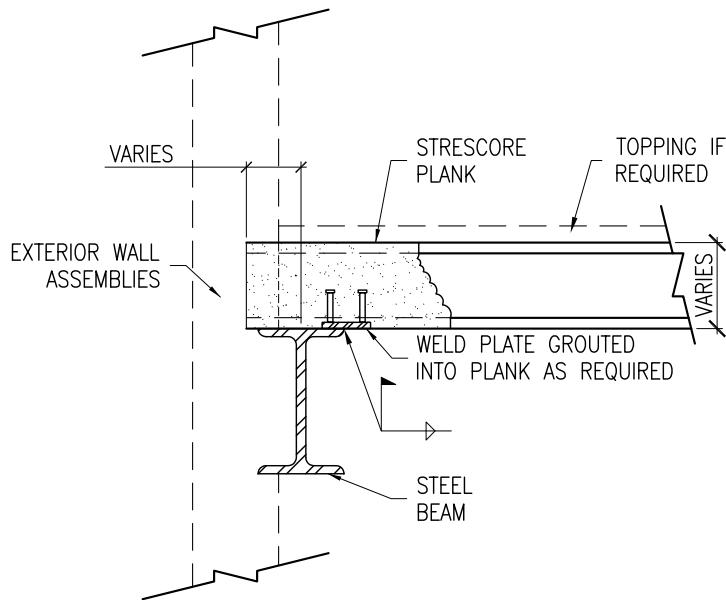


**D17 - INTERIOR  
STRUCTURAL STEEL FRAME  
ROOF / INTERMEDIATE FLOOR DETAIL**

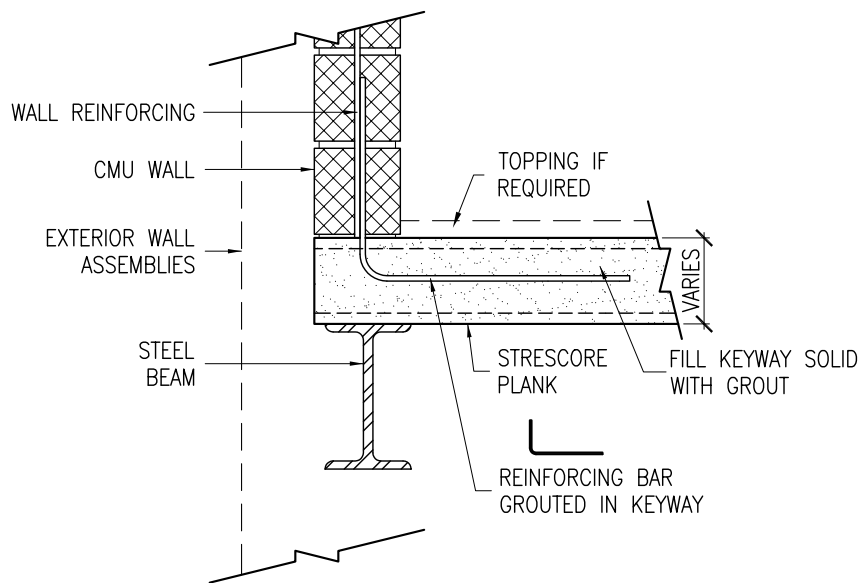


**D18 - INTERIOR STEEL FRAME  
ROOF / INTERMEDIATE FLOOR DETAIL**



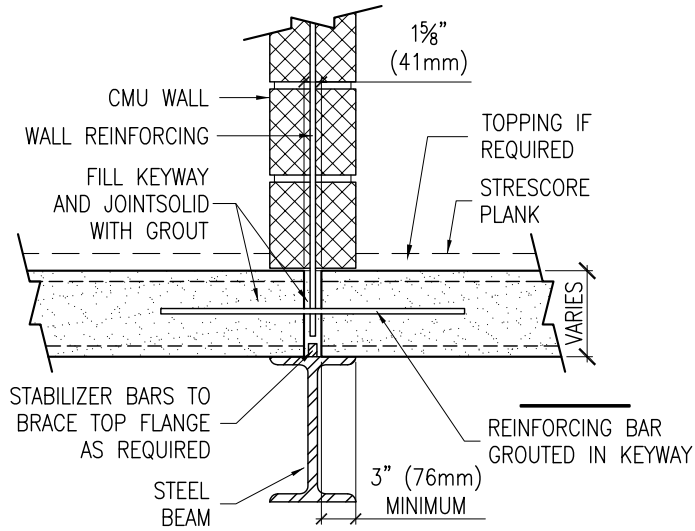


**D19 - EXTERIOR  
STRUCTURAL STEEL FRAME  
INTERMEDIATE FLOOR DETAIL**

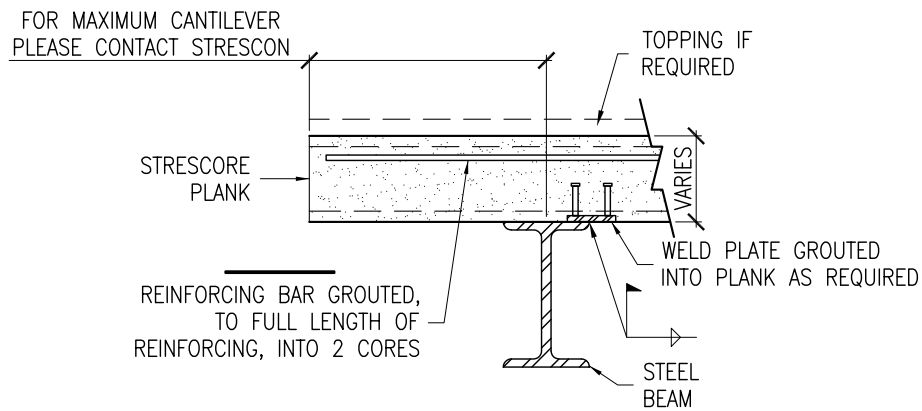


**D20 - EXTERIOR STRUCTURAL STEEL FRAME  
INTERMEDIATE FLOOR DETAIL  
SUPPORTING MASONRY WALL**



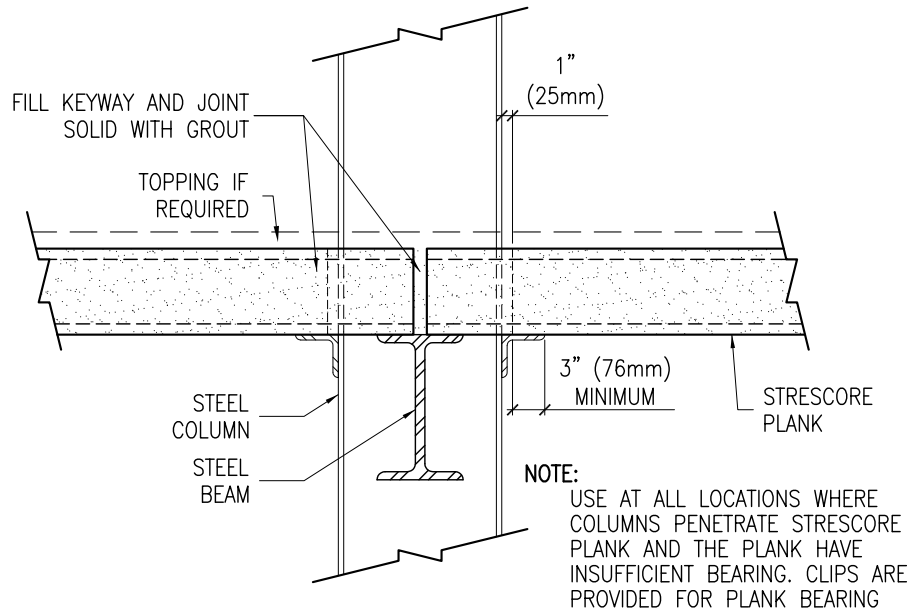


**D21 - INTERIOR STRUCTURAL STEEL FRAME  
INTERMEDIATE FLOOR DETAIL  
SUPPORTING MASONRY WALL**

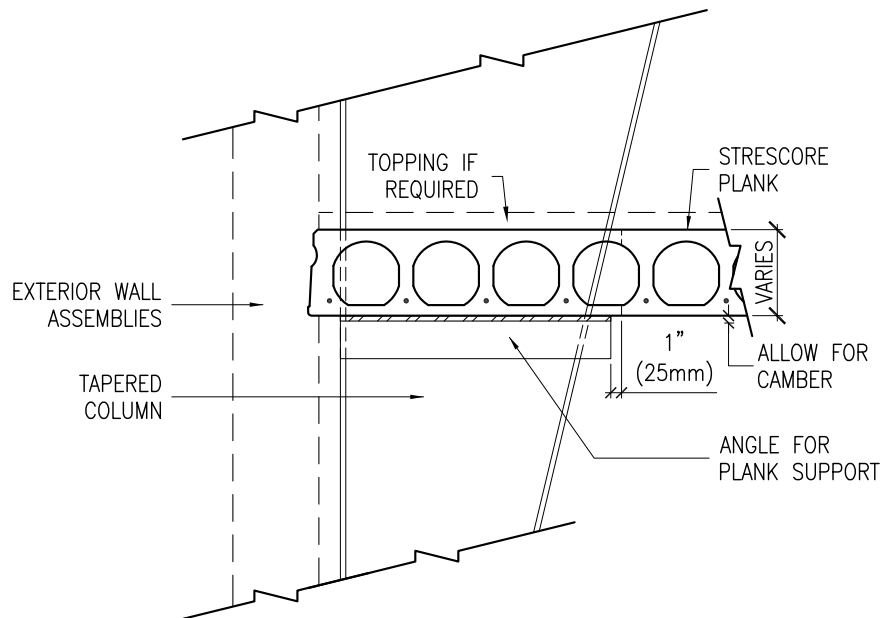


**D22 - INTERIOR/EXTERIOR  
STRUCTURAL STEEL FRAME  
PLANK CANTILEVER DETAIL**



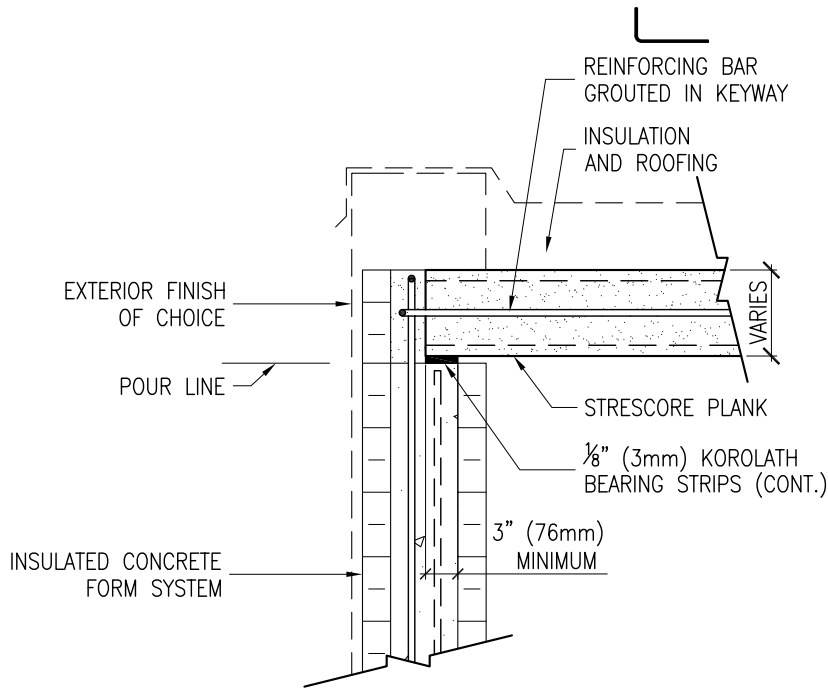


**D23 - INTERIOR STRUCTURAL STEEL FRAME  
INTERMEDIATE FLOOR  
COLUMN NOTCH DETAIL**

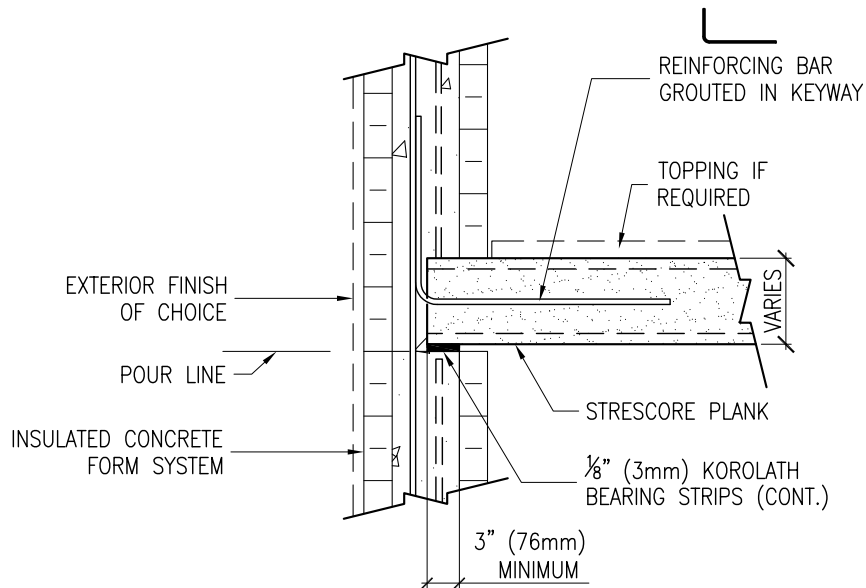


**D24 - EXTERIOR LOAD BEARING  
PRE ENGINEERED STEEL FRAME  
INTERMEDIATE FLOOR  
COLUMN NOTCH DETAIL**



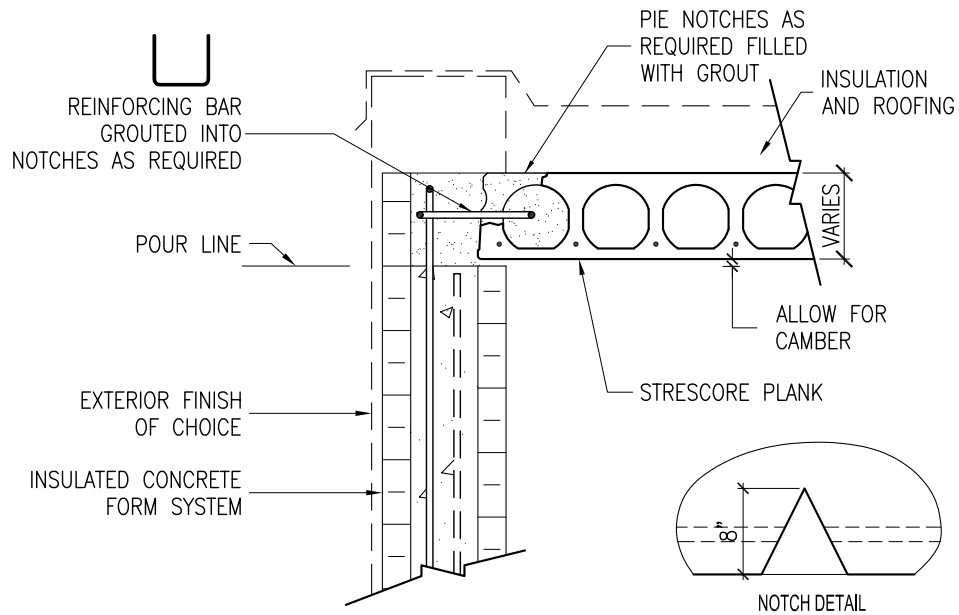


**D25 - EXTERIOR LOAD BEARING  
INSULATED CONCRETE FORM SYSTEM  
ROOF DETAIL**

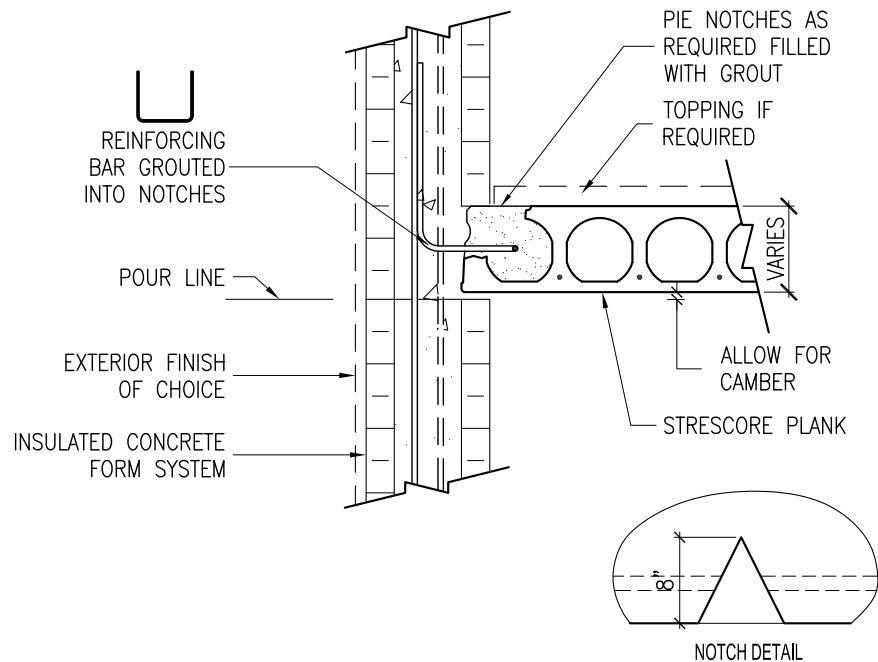


**D26 - EXTERIOR LOAD BEARING  
INSULATED CONCRETE FORM SYSTEM  
INTERMEDIATE FLOOR DETAIL**



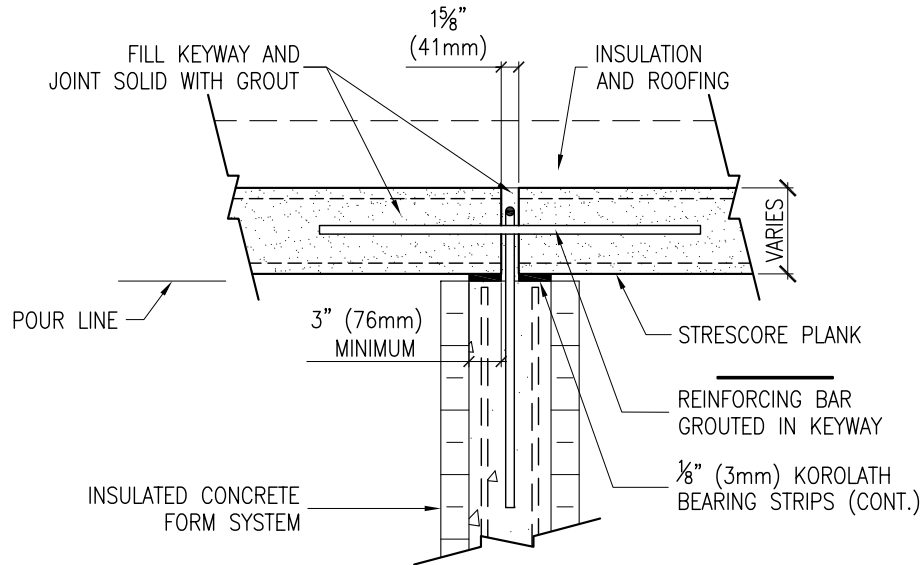


**D27 - EXTERIOR NON-LOAD BEARING  
INSULATED CONCRETE FORM SYSTEM  
ROOF DETAIL**

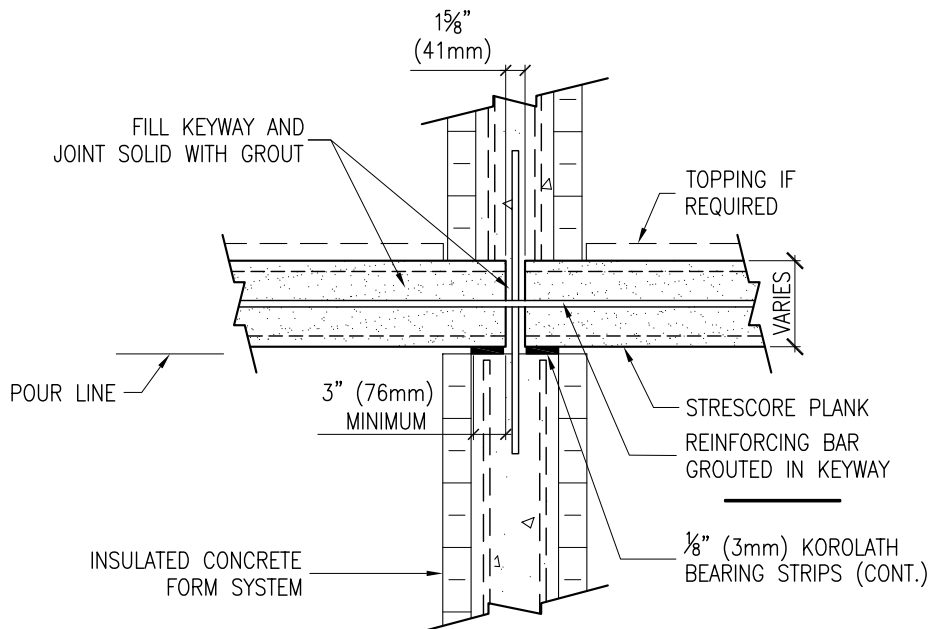


**D28 - EXTERIOR NON-LOAD BEARING  
INSULATED CONCRETE FORM SYSTEM  
INTERMEDIATE FLOOR DETAIL**



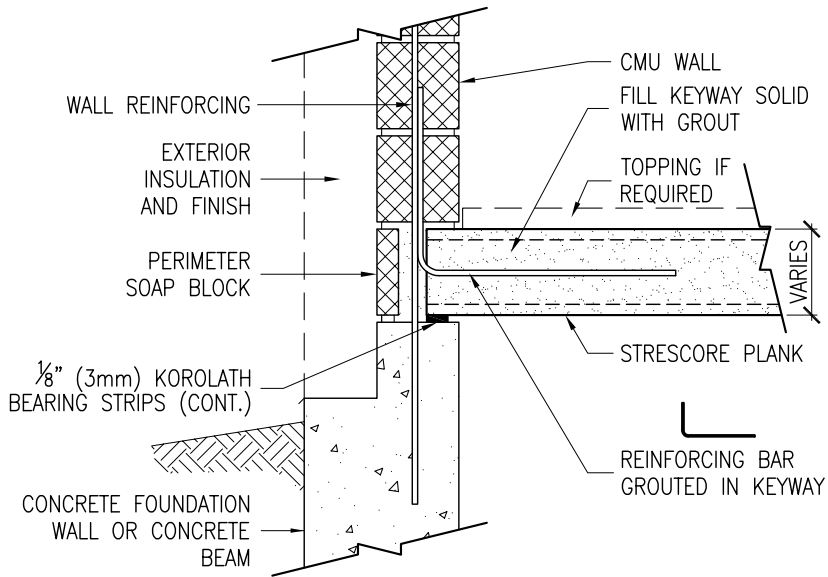


**D29 - INTERIOR LOAD BEARING**  
**INSULATED CONCRETE FORM SYSTEM**  
**ROOF DETAIL**

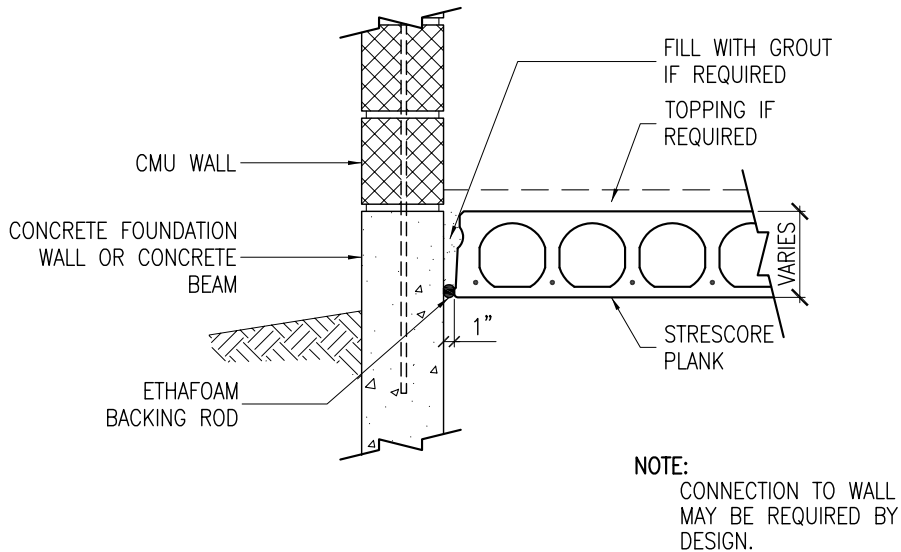


**D30 - INTERIOR LOAD BEARING**  
**INSULATED CONCRETE FORM SYSTEM**  
**INTERMEDIATE FLOOR DETAIL**





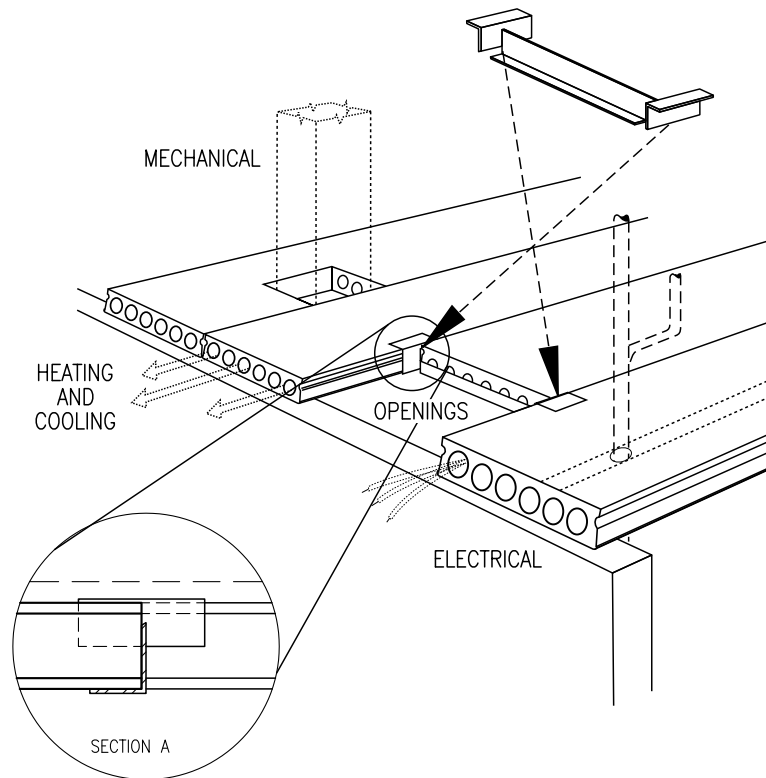
**D31 - EXTERIOR LOAD BEARING  
FOUNDATION WALL  
FLOOR DETAIL**



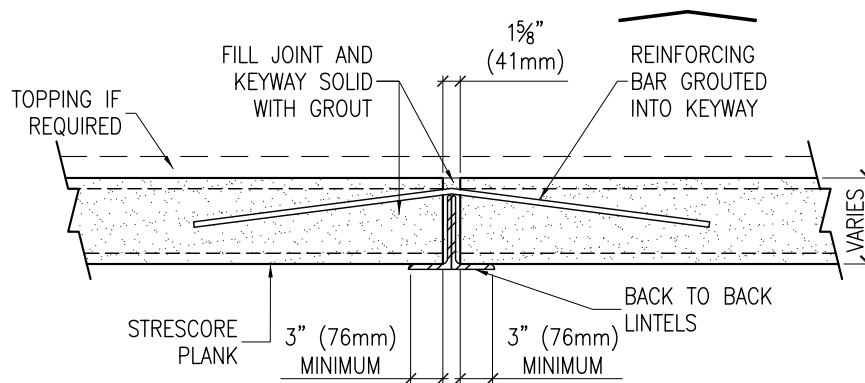
NOTE:  
CONNECTION TO WALL  
MAY BE REQUIRED BY  
DESIGN.

**D32 - EXTERIOR NON-LOAD BEARING  
FOUNDATION WALL  
FLOOR DETAIL**



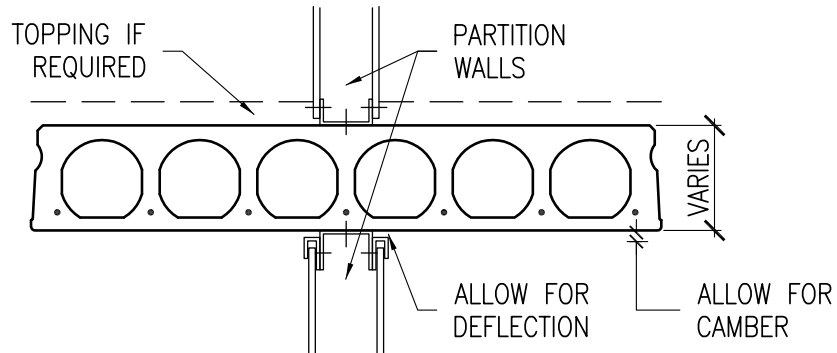


**D33 - HANGER DETAILS**

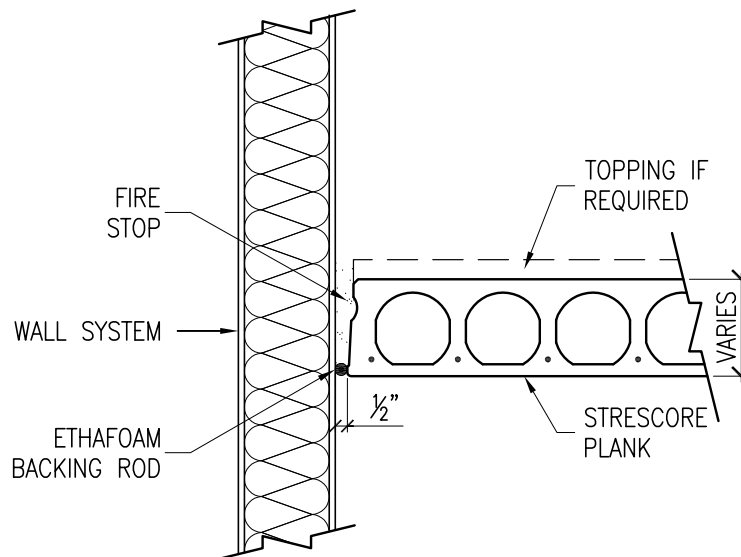


**D34 - BACK TO BACK LINTEL DETAIL**



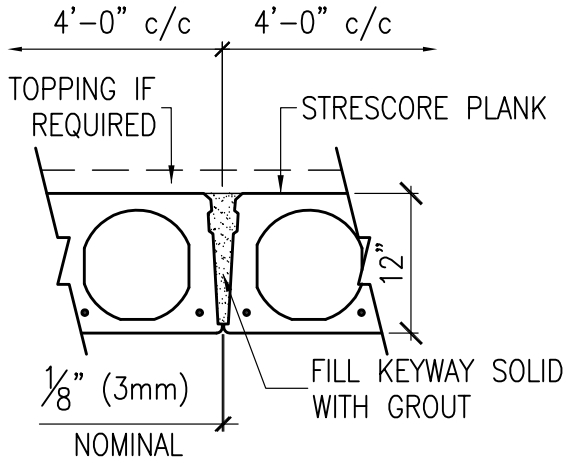


**D35** - INTERIOR NON-LOAD BEARING  
PARTITION WALL  
INTERMEDIATE FLOOR DETAIL

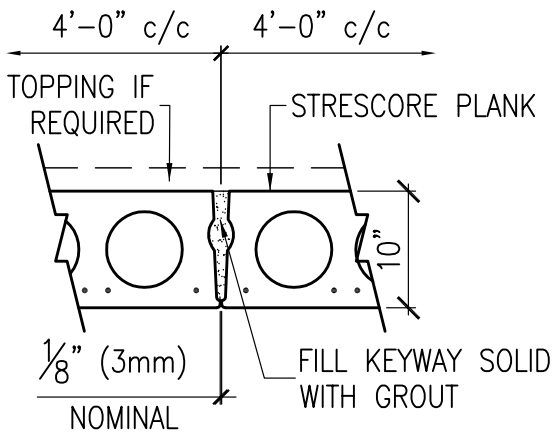


**D36** - EXTERIOR NON-LOAD BEARING  
PARTITION WALL  
INTERMEDIATE FLOOR DETAIL

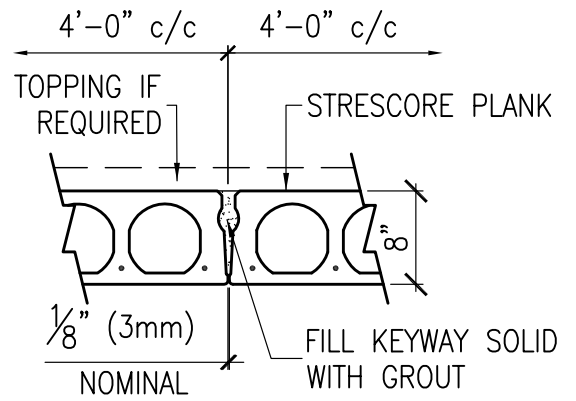




**12" STRESCORE**



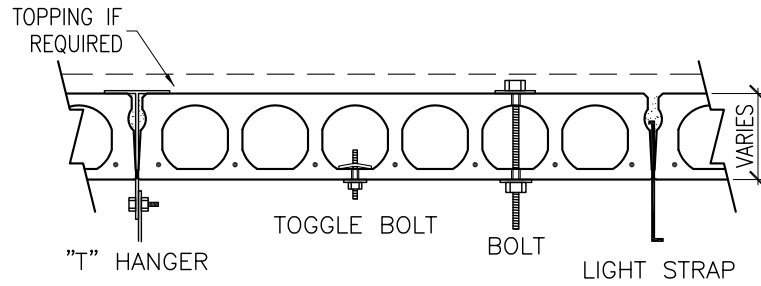
**10" STRESCORE**



**8" STRESCORE**

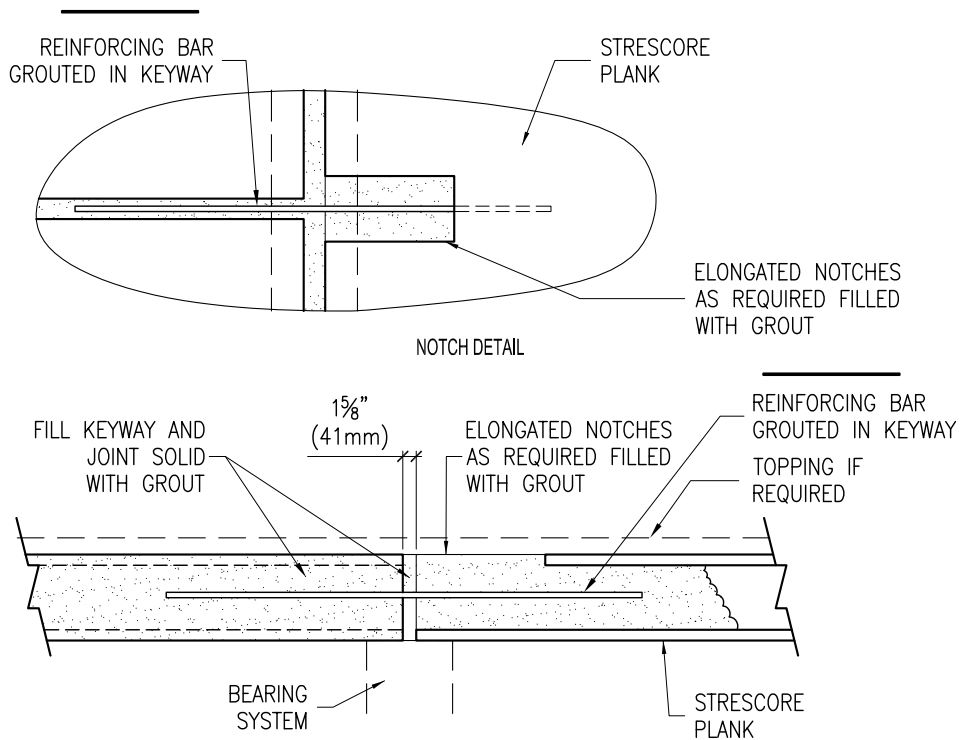
**D37 - TYPICAL PLANK TO PLANK  
JOINT DETAIL**





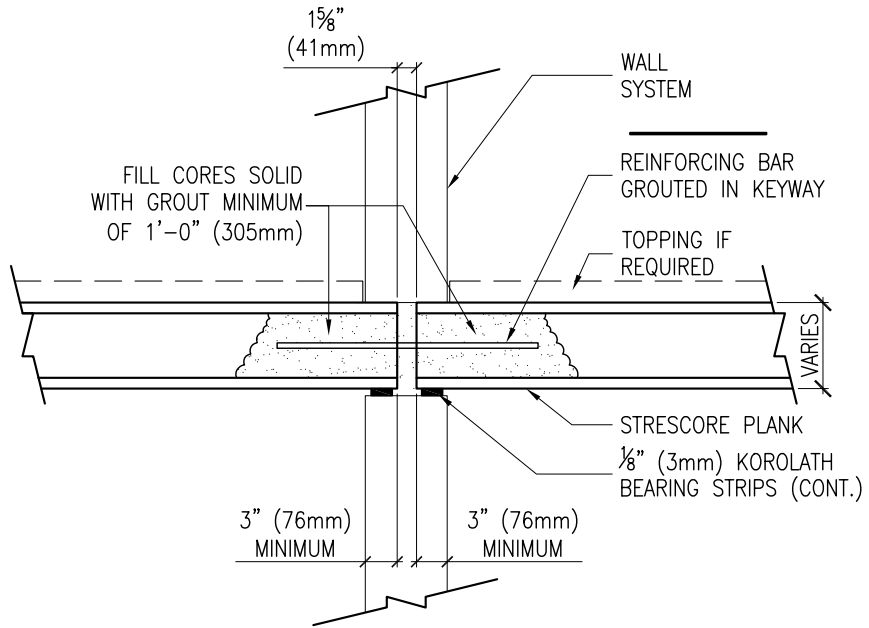
FIELD DRILLED OR PLACED IN JOINTS  
PRIOR TO GROUTING BY TRADES  
REQUIRING HANGERS.

**D38 - STANDARD HANGER  
DETAILS**

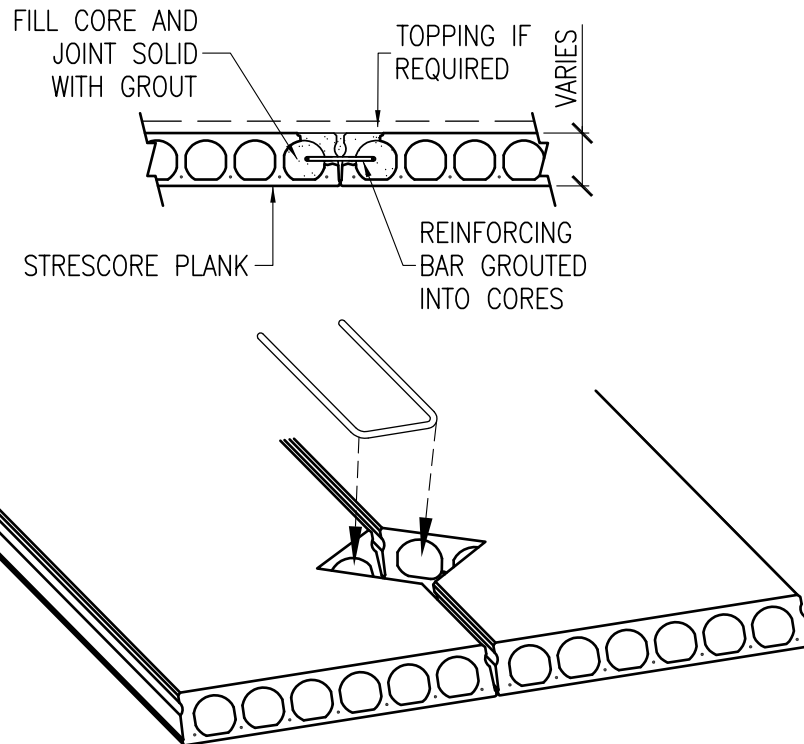


**D39 - ELONGATED NOTCH DETAIL  
WHEN PLANKS DO NOT ALIGN**



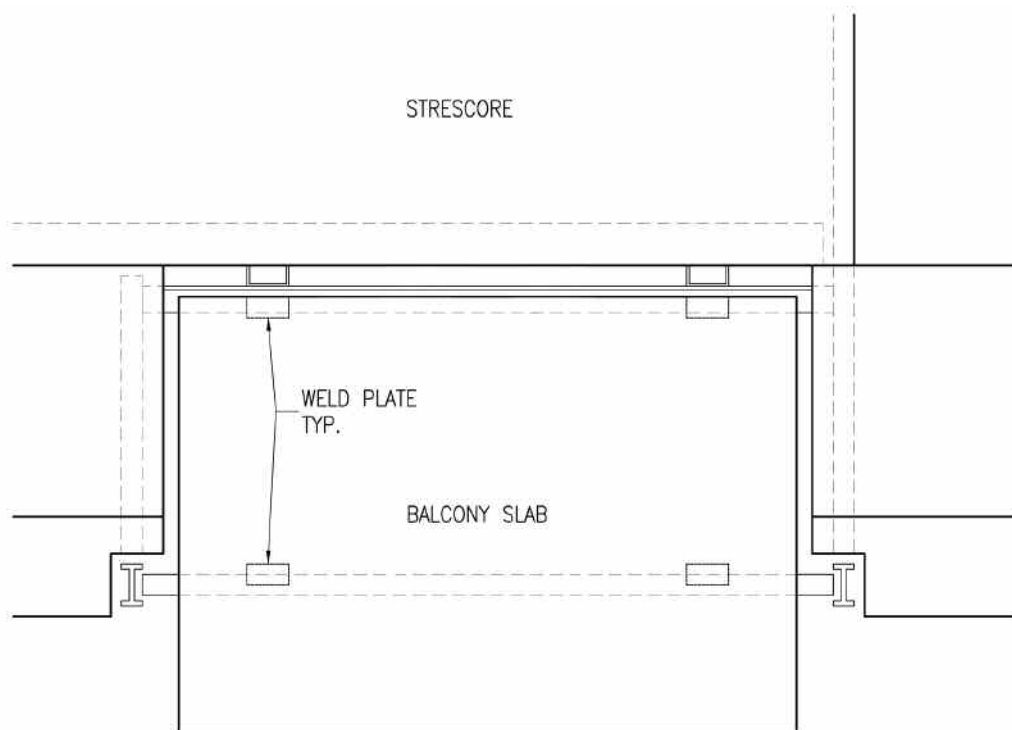


**D40 - GROUTING OF CORES  
FOR WALLS ABOVE**

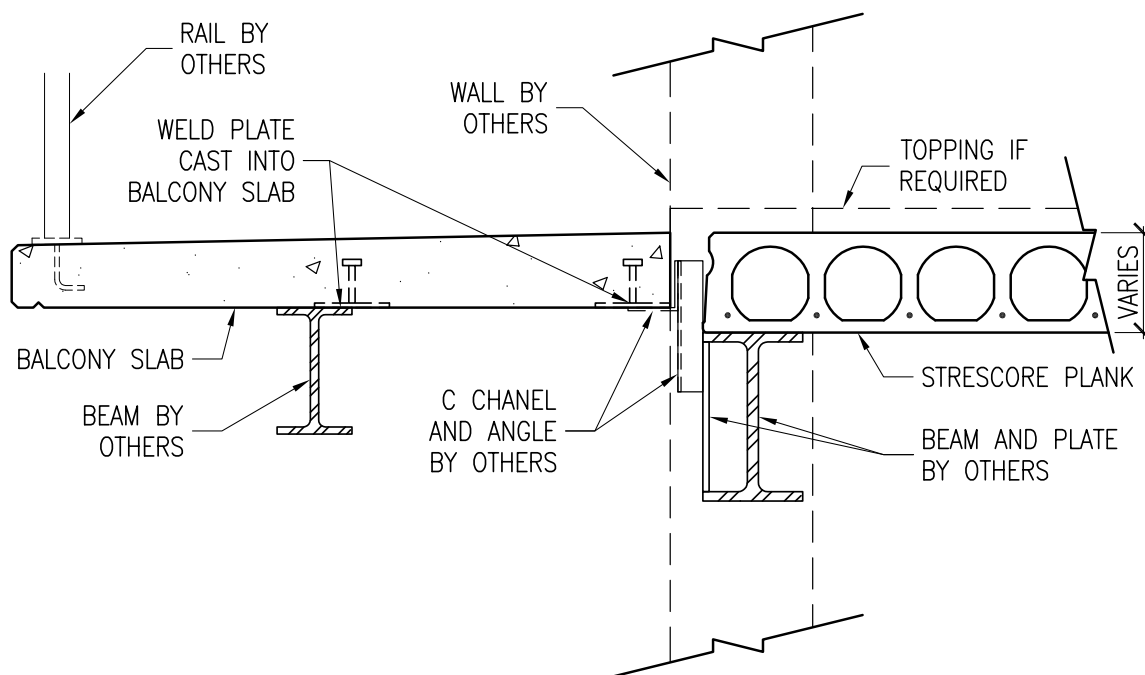


**D41 - PLANK TO PLANK TIE CONNECTION**



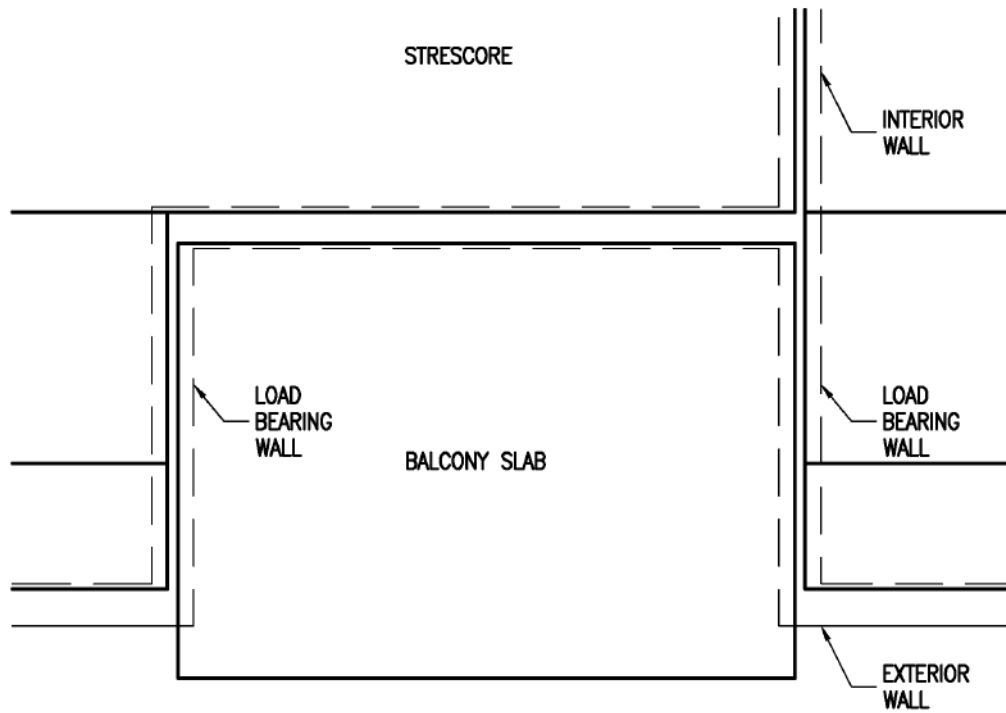


**D42 - PREFERRED METHOD FOR BALCONY LAYOUT**

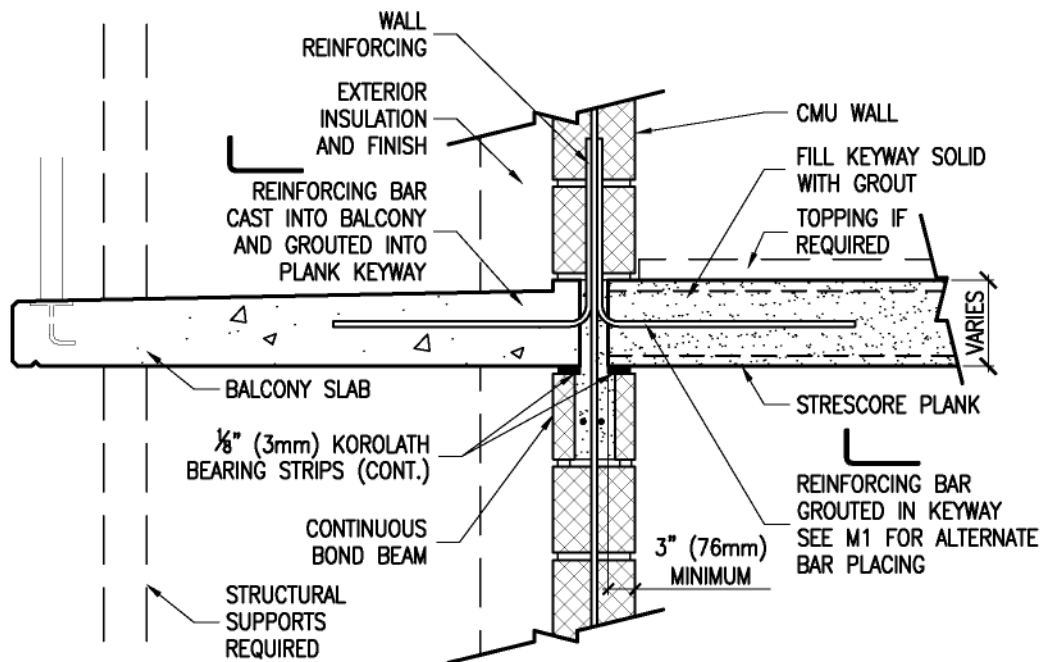


**D43 - BALCONY SLAB TO STRESCORE CONNECTION DETAIL**





**D44** - ALTERNATE METHOD FOR BALCONY LAYOUT



**D45** - BALCONY SLAB TO STRESCORE PLANK  
ALTERNATE CONNECTION DETAIL

